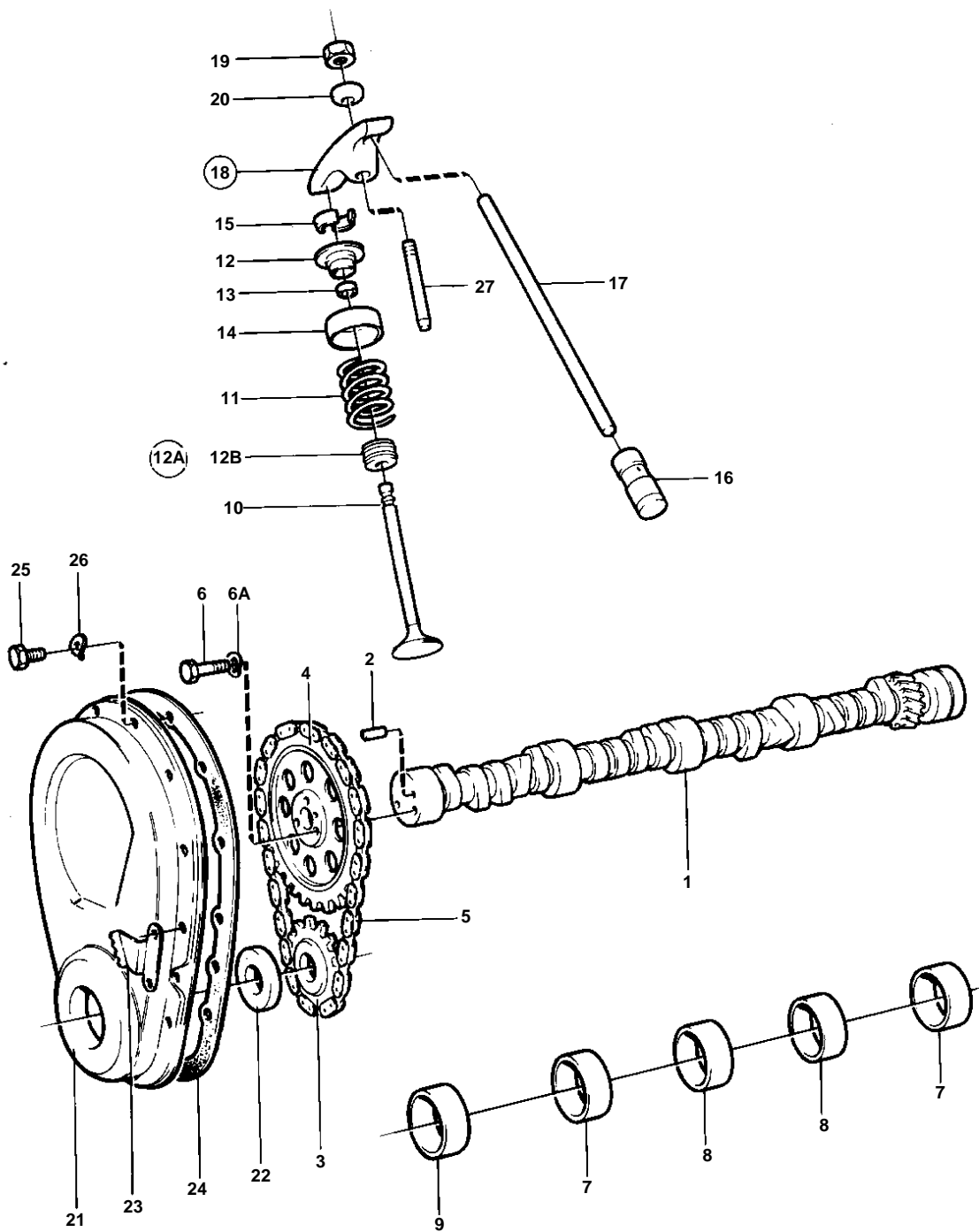


AQ225D



7210

## AQ225D

REF	PART NO.	QTY	DESCRIPTION	SEE SEC.	NOTES
1	835465	1	Camshaft		
2	835040	1	· Locating pin		
3	835544	1	Sprocket		AQ200D MO-19205, AQ225D MO-19205, AQ260A MO-19205., SINGLE-ROW GEAR.
	855906	1	Sprocket		AQ200D MO19206-, AQ225D MO19206-, AQ260A MO19206-., TWIN-ROW GEAR.
4		1	Sprocket		AQ200D MO-19205, AQ225D MO-19205, AQ260A MO-19205., SINGLE-ROW GEAR.
		1	Sprocket		AQ200D MO19206-, AQ225D MO19206-, AQ260A MO19206-., TWIN-ROW GEAR.
5	835546	1	Camshaft chain		AQ200D MO-19205, AQ225D MO-19205, AQ260A MO-19205., SINGLE-ROW GEAR.
	835405	1	Chain		AQ200D MO19206-, AQ225D MO19206-, AQ260A MO19206-., TWIN-ROW GEAR.
6	940135	3	Hexagon screw		
6A	941907	3	Spring washer		
7	841423	2	Bushing		INCL.IN CYLINDERBLOCK.
8	841424	2	Bushing		INCL.IN CYLINDERBLOCK.
9	841422	1	Bearing		INCL.IN CYLINDERBLOCK.
10	835541	8	Exhaust valve		THICK VALVE ROD, 9,45MM., STD
	841372	8	Exhaust valve		THICK VALVE ROD, 9,45MM., OVER SIZE 0,015"
		8	Inlet valve		AQ200D MO-19205, AQ225D MO-15652., INLET VALVE D=44MM., (835101) STD
	841860	8	Inlet valve		INLET VALVE D=46MM., STD MO15653-
		8	INLET VALVE		AQ200D MO16291-19205., AQ225D MO-15652., REPLACED BY 1EA INLET VALVE 841865.
					OVER SIZE 0,015"
					OVER SIZE 0,015"
		8	Inlet valve		OVER SIZE 0,015" MO15653
		8	Inlet valve, INLET VALVE		AQ200D MO16291-19205., AQ225D MO-15652., REPLACED BY 1EA INLET VALVE 841866., (835796)
					OVER SIZE 0,030"
					OVER SIZE 0,030"
		8	Valve		OVER SIZE 0,030" MO15653
11	835102	16	Spring		
12	835400	8	Valve spring washer		FOR EXHAUST VALVE.
	841782	8	Valve spring washer		
12A	855564	1	Sealing kit		
12B		8	· SEAL		
13		16	· OIL SEAL		
14	841781	16	Shield		
15	835401	32	Valve collet		
16	835089	16	Tappet		
17	841941	16	Push rod		
18	835090	16	Rocker arm		
19	841198	16	· Nut		
20	841199	16	· Ball		
21	841749	1	Timing gear casing		TO BE ASSEMBLED WITH INDICATOR 841038 OR 841105.
22	835386	1	· Seal		
23	841038	1	Setting indicator		
24	835389	1	Gasket		
25	841426	10	Screw		
26	941906	10	Spring washer		EARLY TYPE
27	835108	16	Stud	17187	
	841779	16	Stud		OVER SIZE 0,013"