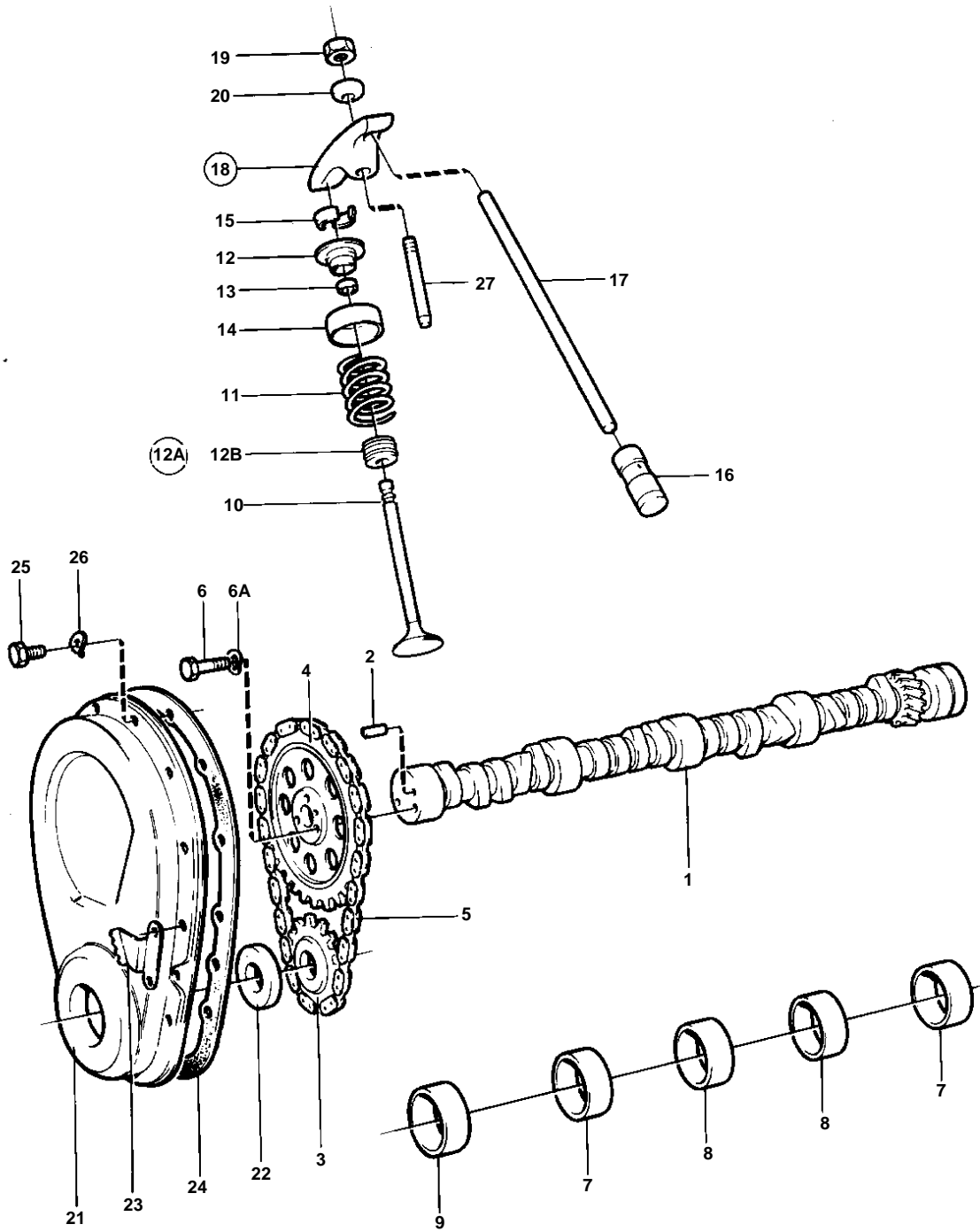


AQ225E



7210

AQ225E

REF	PART NO.	QTY	DESCRIPTION	SEE SEC.	NOTES
1	835465	1	Camshaft		
2	835040	1	• Locating pin		
3	855906	1	Sprocket		
4		1	Sprocket		
5	835405	1	Chain		
6	940135	3	Hexagon screw		
6A	941907	3	Spring washer		
7	841423	2	Bushing		INCL.IN CYLINDERBLOCK.
8	841424	2	Bushing		INCL.IN CYLINDERBLOCK.
9	841422	1	Bearing		INCL.IN CYLINDERBLOCK.
10	835541	8	Exhaust valve		THICK VALVE ROD, 9,45MM., STD
	841372	8	Exhaust valve		THICK VALVE ROD, 9,45MM., OVER SIZE 0,015"
	841860	8	Inlet valve		STD
		8	Inlet valve		OVER SIZE 0,015"
		8	Valve		OVER SIZE 0,030"
11	835102	16	Spring		
12	835400	8	Valve spring washer		FOR EXHAUST VALVE., AQ225E MO-56000 AND AQ260B MO-57466.
	855825	8	Valve spring washer		FLYWHEEL COVER WITH PICK-UP, AQ225E MO56001- AND AQ260B MO57467-.
	841782	8	Valve spring washer		
12A	855564	1	Sealing kit		
12B		8	• SEAL		
13		16	• OIL SEAL		
14	841781	16	Shield		
15	835401	32	Valve collet		
16	835089	16	Tappet		
17	841941	16	Push rod		
18	835090	16	Rocker arm		
19	841198	16	• Nut		
20	841199	16	• Ball		
21	841749	1	Timing gear casing		TO BE ASSEMBLED WITH INDICATOR 841038 OR 841105.
22	835386	1	• Seal		
23	841038	1	Setting indicator		
24	835389	1	Gasket		AQ225E MO-56000 AND AQ260B MO-57466.
	855823	1	Gasket		AQ225E MO56001- AND AQ260B MO57467-.
25	841426	10	Screw		
26	941906	10	Spring washer		EARLY TYPE
27	835108	16	Stud	17188	
	841779	16	Stud		OVER SIZE0,013"