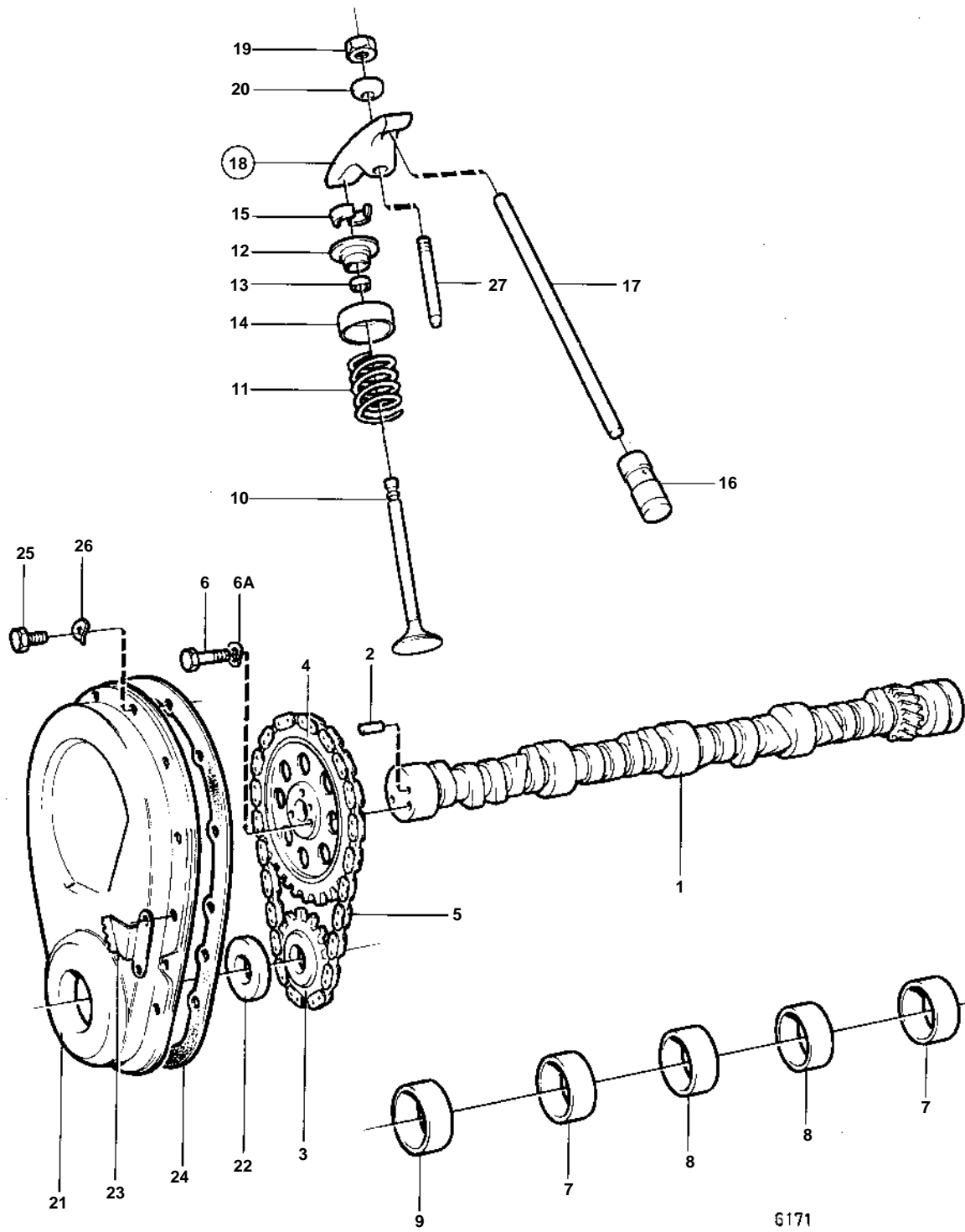


BB225A



6171

## BB225A

| REF | PART NO. | QTY | DESCRIPTION                  | SEE SEC. | NOTES  |
|-----|----------|-----|------------------------------|----------|--|
| 1   | 835465   | 1   | Camshaft                     |          |  |
|     |          | 1   | Camshaft                     |          | FOR ENGINE WITH OPPOSITE ROTATION.   |
| 2   | 835040   | 1   | • Locating pin               |          |  |
| 3   | 835544   | 1   | Sprocket                     |          |  |
|     |          | 1   | Gear, SPROCKET               |          | FOR ENGINE WITH OPPOSITE ROTATION.   |
|     |          |     |                              | 17179    |  |
| 4   |          | 1   | Sprocket                     |          |  |
|     |          | 1   | Gear                         |          | FOR ENGINE WITH OPPOSITE ROTATION.   |
| 5   | 835546   | 1   | Camshaft chain               |          | EXCL ENGINE WITH OPPOSITE ROTATION.  |
| 6   | 940135   | 3   | Hexagon screw                |          |  |
| 6A  | 941907   | 3   | Spring washer                |          |  |
| 7   | 841423   | 2   | Bushing                      |          | INCL.IN CYLINDERBLOCK.   |
| 8   | 841424   | 2   | Bushing                      |          | INCL.IN CYLINDERBLOCK.   |
| 9   | 841422   | 1   | Bearing                      |          | INCL.IN CYLINDERBLOCK.   |
| 10  | 835541   | 8   | Exhaust valve                |          | THICK VALVE ROD, 9,45MM., STD MO-19205                                     |
|     |          | 8   | Exhaust valve                |          | NARROW VALVE ROD, 8,65MM., STD MO-19205                                    |
|     | 835541   | 8   | Exhaust valve, EXHAUST VALVE |          | REPLACED BY 1EA EXHAUST VALVE 835541., (841870)                            |
|     |          |     |                              |          | STD MO19206-   |
|     | 841372   | 8   | Exhaust valve                |          | THICK VALVE ROD, 9,45MM., OVER SIZE 0,015"                                 |
|     | 835541   | 8   | Exhaust valve                |          | NARROW VALVE ROD, 8,65MM., OVER SIZE 0,030"                                |
|     | 841372   | 8   | Exhaust valve                |          | NARROW VALVE ROD, 8,65MM., OVER SIZE 0,045"                                |
|     |          | 8   | Inlet valve, INLET VALVE     |          | (835101)   |
|     |          |     |                              |          | STD MO-15652   |
|     | 841860   | 8   | Inlet valve                  |          | STD MO15653-   |
|     |          | 8   | Inlet valve                  |          | OVER SIZE 0,015" MO15653   |
|     |          | 8   | Valve                        |          | OVER SIZE 0,030" MO15653   |
| 11  | 835102   | 16  | Spring                       |          |  |
| 12  | 835400   | 8   | Valve spring washer          |          | FOR EXHAUST VALVE.   |
|     | 841782   | 8   | Valve spring washer          |          | (835104)   |
| 13  | 855564   | 16  | Sealing kit                  |          |  |
| 14  | 841781   | 16  | Shield                       |          |  |
| 15  | 835401   | 32  | Valve collet                 |          |  |
| 16  | 835089   | 16  | Tappet                       |          | (835543)   |
| 17  | 841941   | 16  | Push rod                     |          | (835088)   |
| 18  | 835090   | 16  | Rocker arm                   |          |  |
| 19  | 841198   | 16  | • Nut                        |          |  |
| 20  | 841199   | 16  | • Ball                       |          |  |
| 21  | 841749   | 1   | Timing gear casing           |          | TO BE ASSEMBLED WITH INDICATOR 841038.                                     |
|     |          | 1   | Timing gear casing           |          | FOR ENGINE WITH OPPOSITE ROTATION., TO BE ASSEMBLED WITH INDICATOR 841038. |
| 22  | 835386   | 1   | • Seal                       |          |  |
|     |          | 1   | • Seal                       |          | FOR ENGINE WITH OPPOSITE ROTATION.   |
| 23  | 841038   | 1   | Setting indicator            |          | EXCL ENGINE WITH OPPOSITE ROTATION.  |
| 24  | 835389   | 1   | Gasket                       |          |  |
| 25  | 955511   | 10  | Hexagon screw                |          | (835369)   |
| 26  | 941906   | 10  | Spring washer                |          |  |
| 27  | 835108   | 16  | Stud                         | 17190    |  |
|     | 841779   | 16  | Stud                         |          | OVER SIZE 0,013"   |