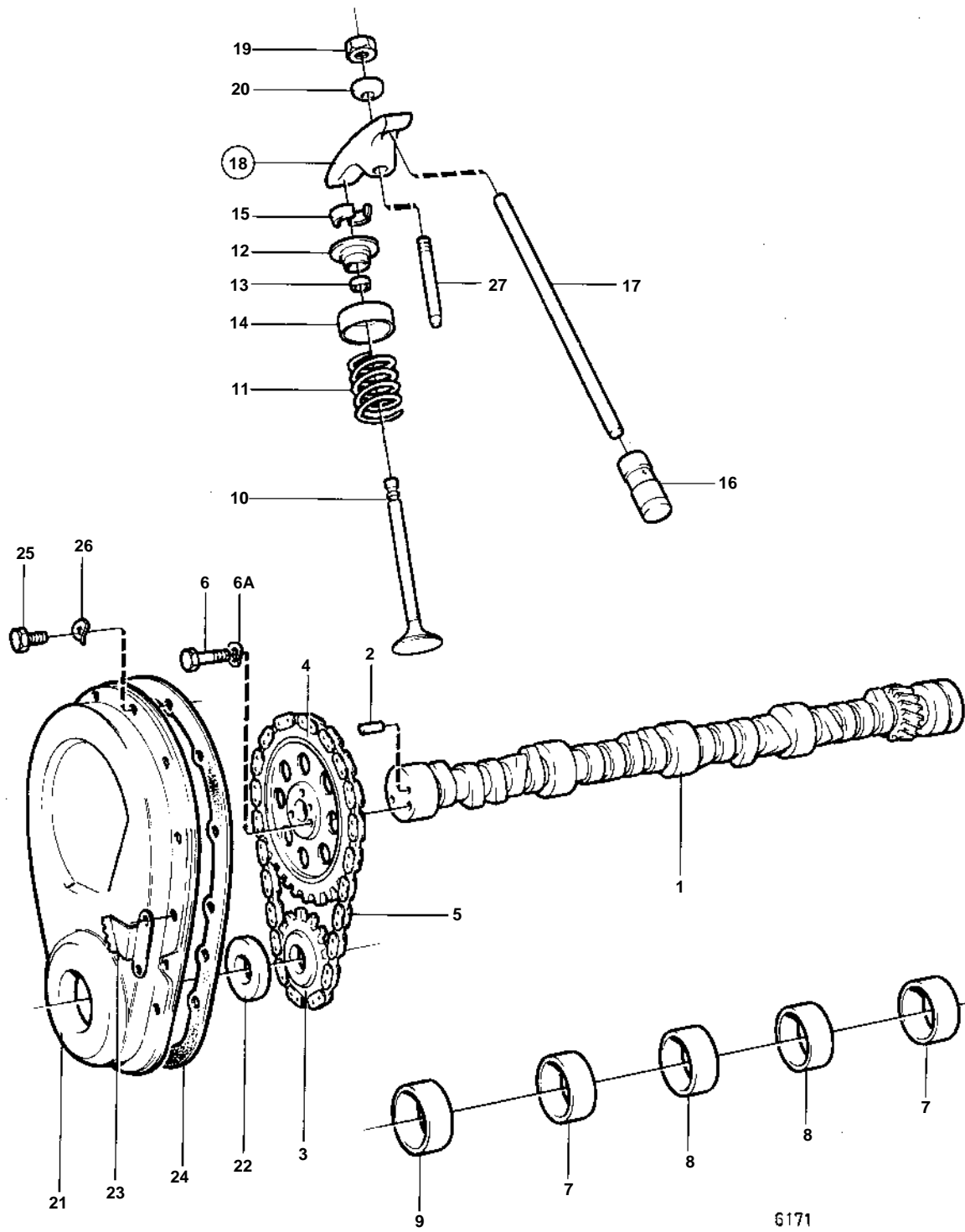


BB225A



## BB225A

REF	PART NO.	QTY	DESCRIPTION	SEE SEC.	NOTES
1	835465	1	Camshaft		
		1	Camshaft		FOR ENGINE WITH OPPOSITE ROTATION.
2	835040	1	• Locating pin		
3	835544	1	Sprocket		
		1	Gear, SPROCKET		FOR ENGINE WITH OPPOSITE ROTATION.
				17179	
4		1	Sprocket		
		1	Gear		FOR ENGINE WITH OPPOSITE ROTATION.
5	835546	1	Camshaft chain		EXCL ENGINE WITH OPPOSITE ROTATION.
6	940135	3	Hexagon screw		
6A	941907	3	Spring washer		
7	841423	2	Bushing		INCL.IN CYLINDERBLOCK.
8	841424	2	Bushing		INCL.IN CYLINDERBLOCK.
9	841422	1	Bearing		INCL.IN CYLINDERBLOCK.
10	835541	8	Exhaust valve		THICK VALVE ROD, 9,45MM., STD MO-19205
		8	Exhaust valve		NARROW VALVE ROD, 8,65MM., STD MO-19205
	835541	8	Exhaust valve, EXHAUST VALVE		REPLACED BY 1EA EXHAUST VALVE 835541., (841870)
					STD MO19206-
	841372	8	Exhaust valve		THICK VALVE ROD, 9,45MM., OVER SIZE 0,015"
	835541	8	Exhaust valve		NARROW VALVE ROD, 8,65MM., OVER SIZE 0,030"
	841372	8	Exhaust valve		NARROW VALVE ROD, 8,65MM., OVER SIZE 0,045"
		8	Inlet valve, INLET VALVE		(835101)
					STD MO-15652
	841860	8	Inlet valve		STD MO15653-
		8	Inlet valve		OVER SIZE 0,015" MO15653
		8	Valve		OVER SIZE 0,030" MO15653
11	835102	16	Spring		
12	835400	8	Valve spring washer		FOR EXHAUST VALVE.
	841782	8	Valve spring washer		(835104)
13	855564	16	Sealing kit		
14	841781	16	Shield		
15	835401	32	Valve collet		
16	835089	16	Tappet		(835543)
17	841941	16	Push rod		(835088)
18	835090	16	Rocker arm		
19	841198	16	• Nut		
20	841199	16	• Ball		
21	841749	1	Timing gear casing		TO BE ASSEMBLED WITH INDICATOR 841038.
		1	Timing gear casing		FOR ENGINE WITH OPPOSITE ROTATION., TO BE ASSEMBLED WITH INDICATOR 841038.
22	835386	1	• Seal		
		1	• Seal		FOR ENGINE WITH OPPOSITE ROTATION.
23	841038	1	Setting indicator		EXCL ENGINE WITH OPPOSITE ROTATION.
24	835389	1	Gasket		
25	955511	10	Hexagon screw		(835369)
26	941906	10	Spring washer		
27	835108	16	Stud	17190	
	841779	16	Stud		OVER SIZE 0,013"