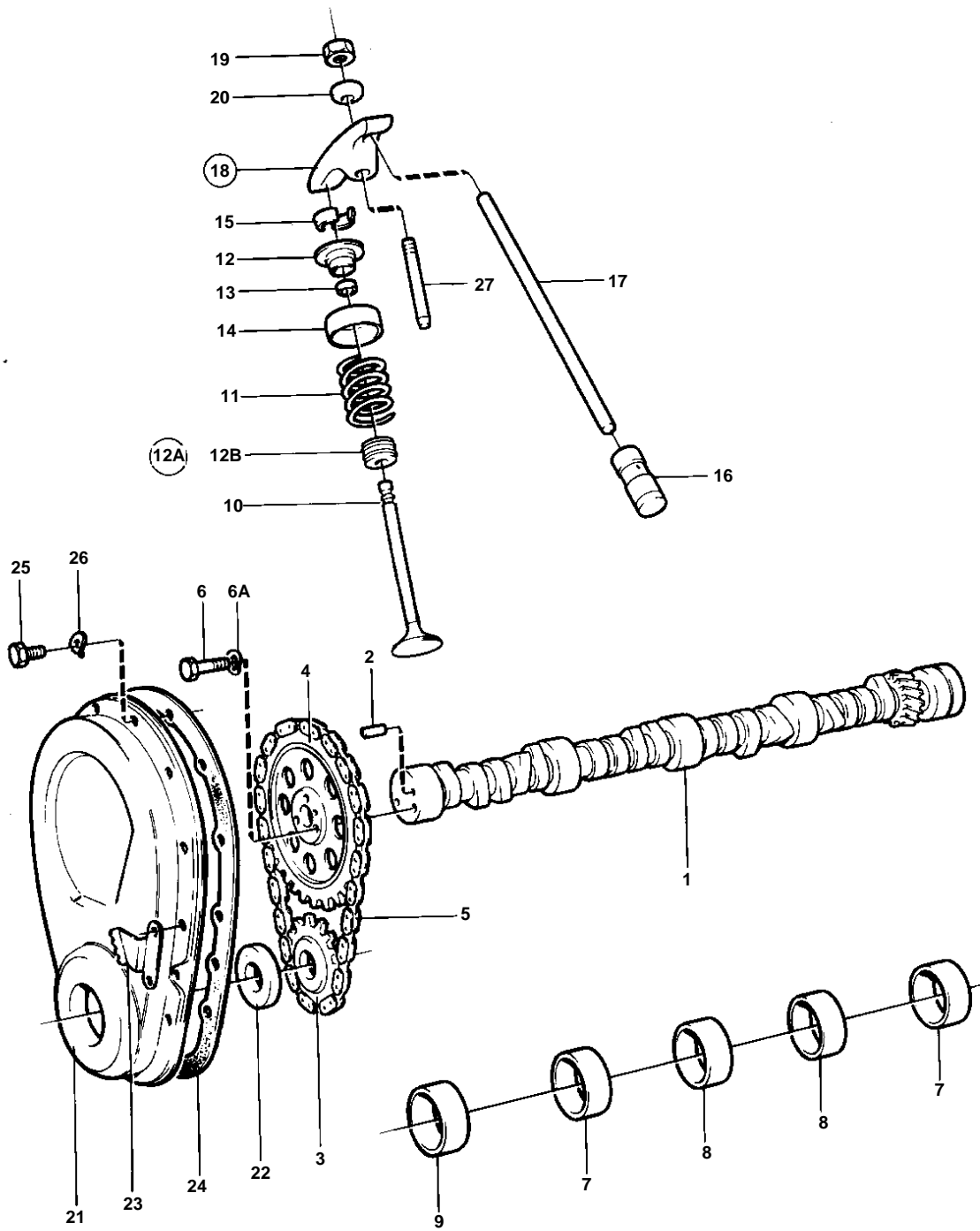


BB225B



7210

BB225B

REF	PART NO.	QTY	DESCRIPTION	SEE SEC.	NOTES
1	835465	1	Camshaft		
				17181	
				17180	
2	835040	1	· Locating pin		
3	855906	1	Sprocket		TWIN-ROW GEAR.
4		1	Sprocket		TWIN-ROW GEAR.
5	835405	1	Chain		TWIN-ROW GEAR.
6	940135	3	Hexagon screw		
6A	941907	3	Spring washer		
7	841423	2	Bushing		INCL.IN CYLINDERBLOCK.
8	841424	2	Bushing		INCL.IN CYLINDERBLOCK.
9	841422	1	Bearing		INCL.IN CYLINDERBLOCK.
10	835541	8	Exhaust valve		STD
	841372	8	Exhaust valve		OVER SIZE 0,015"
	841860	8	Inlet valve		STD
		8	Inlet valve		OVER SIZE 0,015"
		8	Valve		OVER SIZE 0,030"
11	835102	16	Spring		
12	835400	8	Valve spring washer		FOR EXHAUST VALVE., BB225B MO-57027., BB260B MO-58296.
	855825	8	Valve spring washer		FOR EXHAUST VALVE., BB225B MO57028-., BB260B MO58297-.
	841782	8	Valve spring washer		(835104)
12A	855564	1	Sealing kit		
12B	841871	8	· Seal		
13	835106	16	· Sealing ring		
14	841781	16	Shield		(835107)
15	835401	32	Valve collet		
16	835089	16	Tappet		
17	841941	16	Push rod		(835088)
18	835090	16	Rocker arm		
19	841198	16	· Nut		
20	841199	16	· Ball		
21	841749	1	Timing gear casing		TO BE ASSEMBLED WITH INDICATOR 841038.
22	835386	1	· Seal		
23	841038	1	Setting indicator		
24	835389	1	Gasket		BB225B MO-57027., BB260B MO-58296.
	855823	1	Gasket		BB225B MO57028-., BB260B MO58297-.
25	841426	10	Screw		
26	941906	10	Spring washer		
27	835108	16	Stud	17191	
	841779	16	Stud		OVER SIZE 0,013"