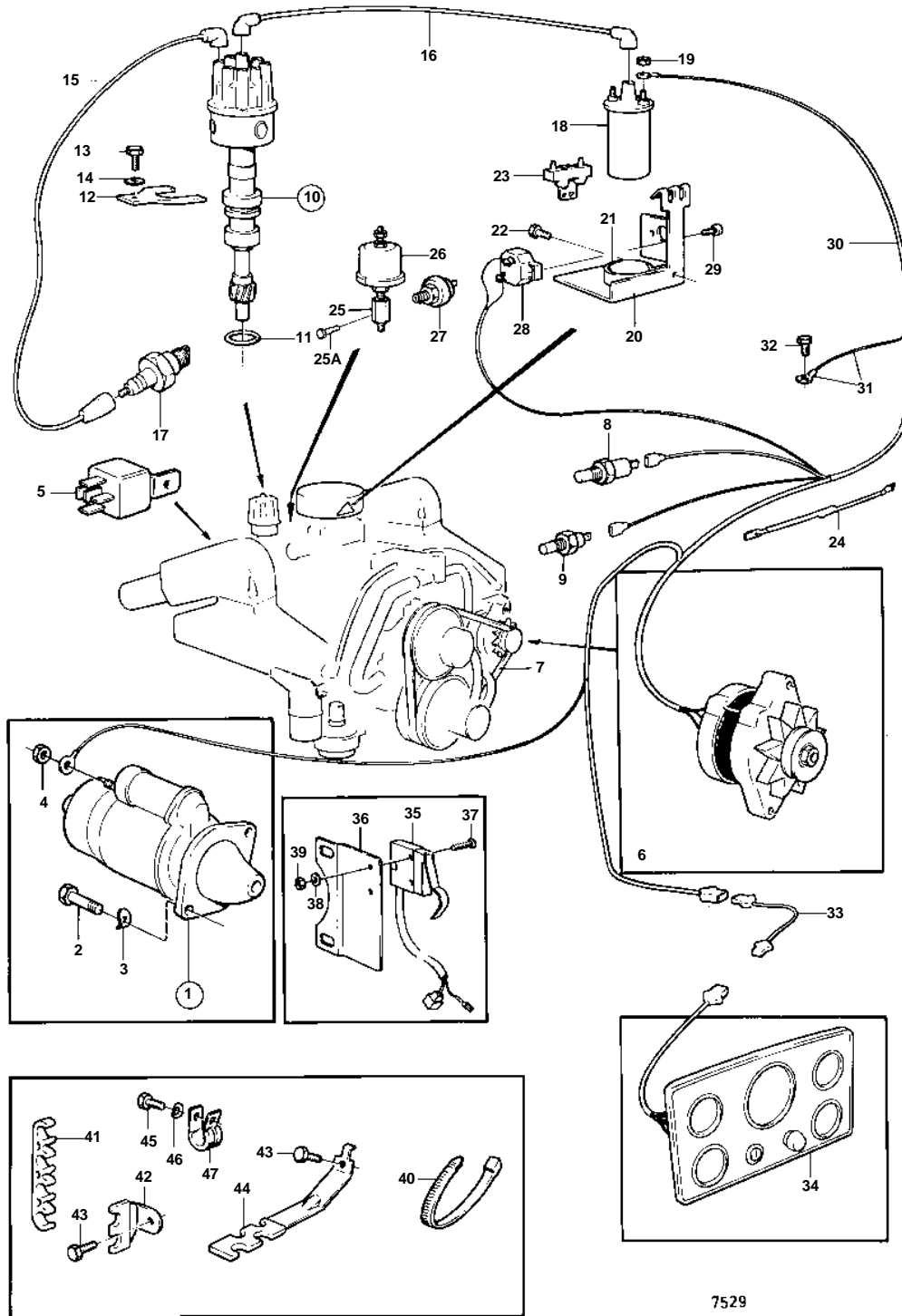


BB225C



7529

## BB225C

REF	PART NO.	QTY	DESCRIPTION	SEE SEC.	NOTES
1	855334	1	Starter motor		
		X	· COMPONENTS NOT SPEC.		
2	940134	1	Hexagon screw		
3	941909	1	Spring washer		
4	855330	1	Nut		
5	841177	1	Relay		
6		1	ALTERNATOR WITH INSTALLATION COMPONENTS	17242	
7	958498	1	V-belt		
8	835630	1	Temperature sensor		SEE GROUP 2B
	835649	1	Sensor		FOR FLY BRIDGE., SEE GROUP 9
9	841890	1	Switch		SEE GROUP 2A
	835649	1	Sensor		FOR FLY BRIDGE., SEE GROUP 9
10	841069	1	Distributor		
				17243	
11	835154	1	Gasket		
12	841530	1	Retainer		
13	855824	1	Screw		
14	941744	1	Washer		
15	855678	2	Ignition cable		CYL1, 2
	855677	2	Ignition cable		CYL3, 4
	855676	2	Ignition cable		CYL5, 6
	855675	2	Ignition cable		CYL7, 8
16	855674	1	Ignition cable		
17	876047	2	Spark plug kit		
18	835998	1	Ignition coil		
19		2	Nut		
20	834700	1	Bracket		SEE GROUP 2D
21	1219561	1	Clamp		
22		1	Screw		
23	835999	1	Series resistance		
24	834784	1	Resistor		
25		1	Nipple		
25A	16325	1	Plug		
26	834920	1	Oil pressure sensor		
	834921	1	Oil pressure sensor		FOR FLY BRIDGE.
27	841599	1	Pressure monitor		
28	841178	1	Automatic fuse		40A
29	950013	2	Cross recessed screw		
30		1	Cable trunk		
31		X	· CABLES AND TERMINALS	17252	
32	841426	1	Screw		
33		X	Cable trunk		FOR INSTRUMENT PANEL 841094 AND 841095., L = 3000 MM
	835670	X	Cable trunk		FOR INSTRUMENT PANEL 841096 AND 841097., L = 6000 MM
34		1	Instrument panel		
				17248	
		1	Instrument panel		
				17248	
		1	Instrument panel		
				17248	
		1	Instrument panel		
				17248	
		1	Panel		EUR
				17249	
		1			EUR REPL BY 841211
				17249	
35		1	Switch		
36		1	Bracket		
37	956050	2	Cross recessed screw		
38	955890	2	Washer		

