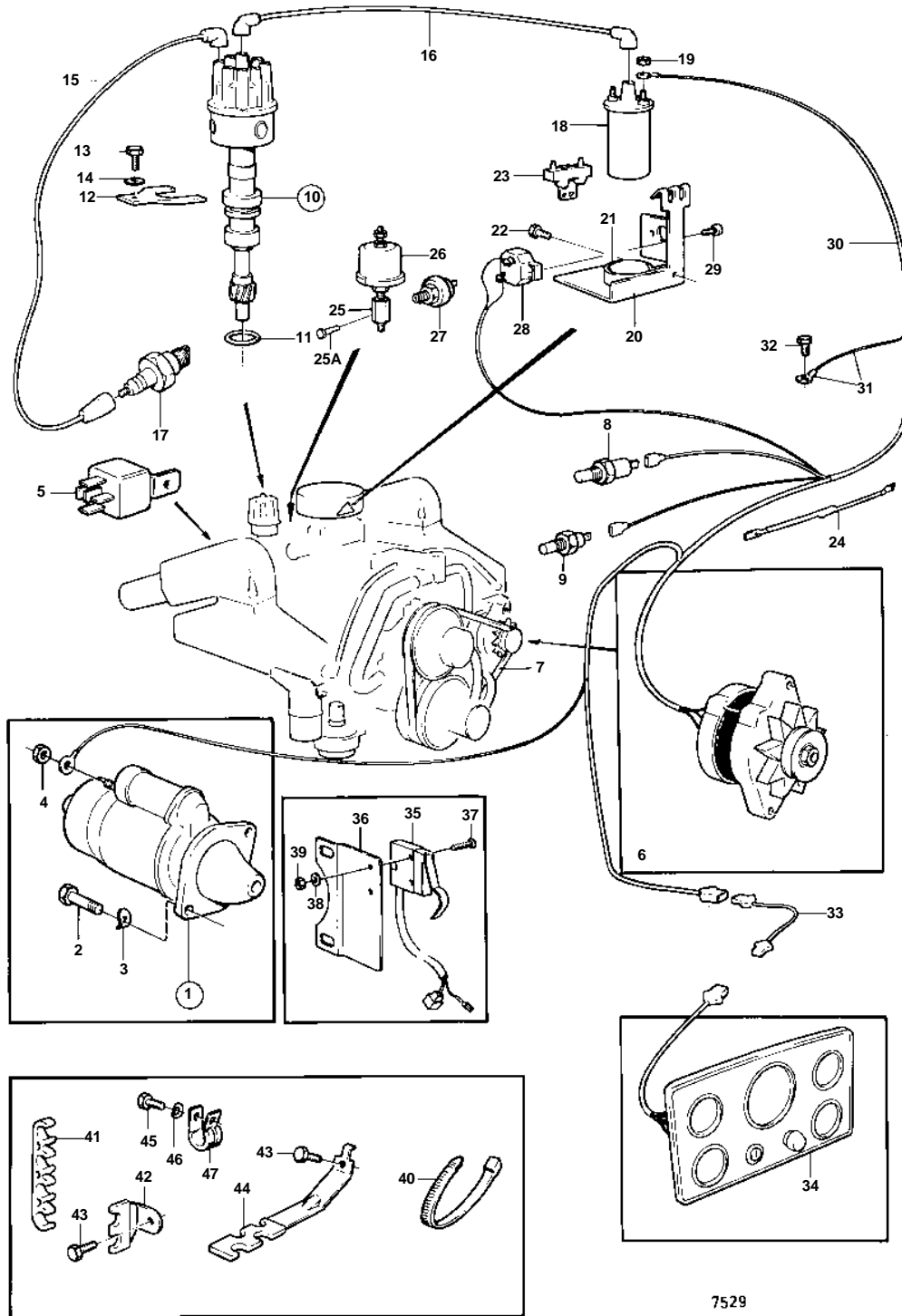


BB225B



7529

BB225B

REF	PART NO.	QTY	DESCRIPTION	SEE SEC.	NOTES
1	841377	1	Starter motor		REPL BY 855334
				17247	
2	940134	2	Hexagon screw		
3	941909	2	Spring washer		
4	955827	1	Hexagon nut		
	940179	2	Hexagon nut		
5	841177	1	Relay		
6		1	ALTERNATOR AND INSTALLATION COMPONENTS	17241	
7	958498	1	V-belt		
8	835630	1	Temperature sensor		SEE GROUP 2B
	835649	1	Sensor		FOR FLY BRIDGE., SEE GROUP 9
9		1	Thermo monitor		BB225B MO 20325-20393, BB260B MO 20325-20363., SEE GROUP 2A
	841890	1	Switch		BB225B MO 20394-, BB260B MO 20364-., SEE GROUP 2A
	835649	1	Sensor		FOR FLY BRIDGE., SEE GROUP 9
10	841069	1	Distributor		
				17243	
11	835154	1	Gasket		
12	841530	1	Retainer		
13	955535	1	Hexagon screw		
14	941744	1	Washer		
15	841228	2	Ignition cable		CYL 1,2
	841227	2	Ignition cable		CYL 3,4
	841226	2	Ignition cable		CYL 5,6
	841225	2	Ignition cable		CYL 7,8
16	855674	1	Ignition cable		
17	876047	2	Spark plug kit		
18	835998	1	Ignition coil		
19		2	Nut		
20	834700	1	Bracket		SEE GROUP 2D
21	1219561	1	Clamp		
22		1	Screw		
23	835999	1	Series resistance		
24	834784	1	Resistor		
25		1	Nipple		
26	834920	1	Oil pressure sensor		
	834921	1	Oil pressure sensor		FOR FLY BRIDGE., (835651)
27	841599	1	Pressure monitor		
28	841178	1	Automatic fuse		40A
29	950013	2	Cross recessed screw		
30	841822	1	Cable trunk		
31		X	CABLES AND TERMINALS	17252	
32	955511	1	Hexagon screw		(835369)
33		X	Cable trunk		FOR INSTRUMENT PANEL 841094 AND 841095., L = 3000 MM
	835670	X	Cable trunk		FOR INSTRUMENT PANEL 841096 AND 841097., L = 6000mm
34		1	Instrument panel		
				17248	
		1	Panel		EUR
				17249	
35		1	Switch		
36		1	Bracket		
37	956050	2	Cross recessed screw		
38	955890	2	Washer		
39	955778	2	Hexagon nut		
40	948210	X	Cable tie		
41		2	Retainer		
42		2	Retainer		
43	955511	2	Hexagon screw		(835369)

BB225B

REF	PART NO.	QTY	DESCRIPTION	SEE SEC.	NOTES
44	835427	2	Retainer		