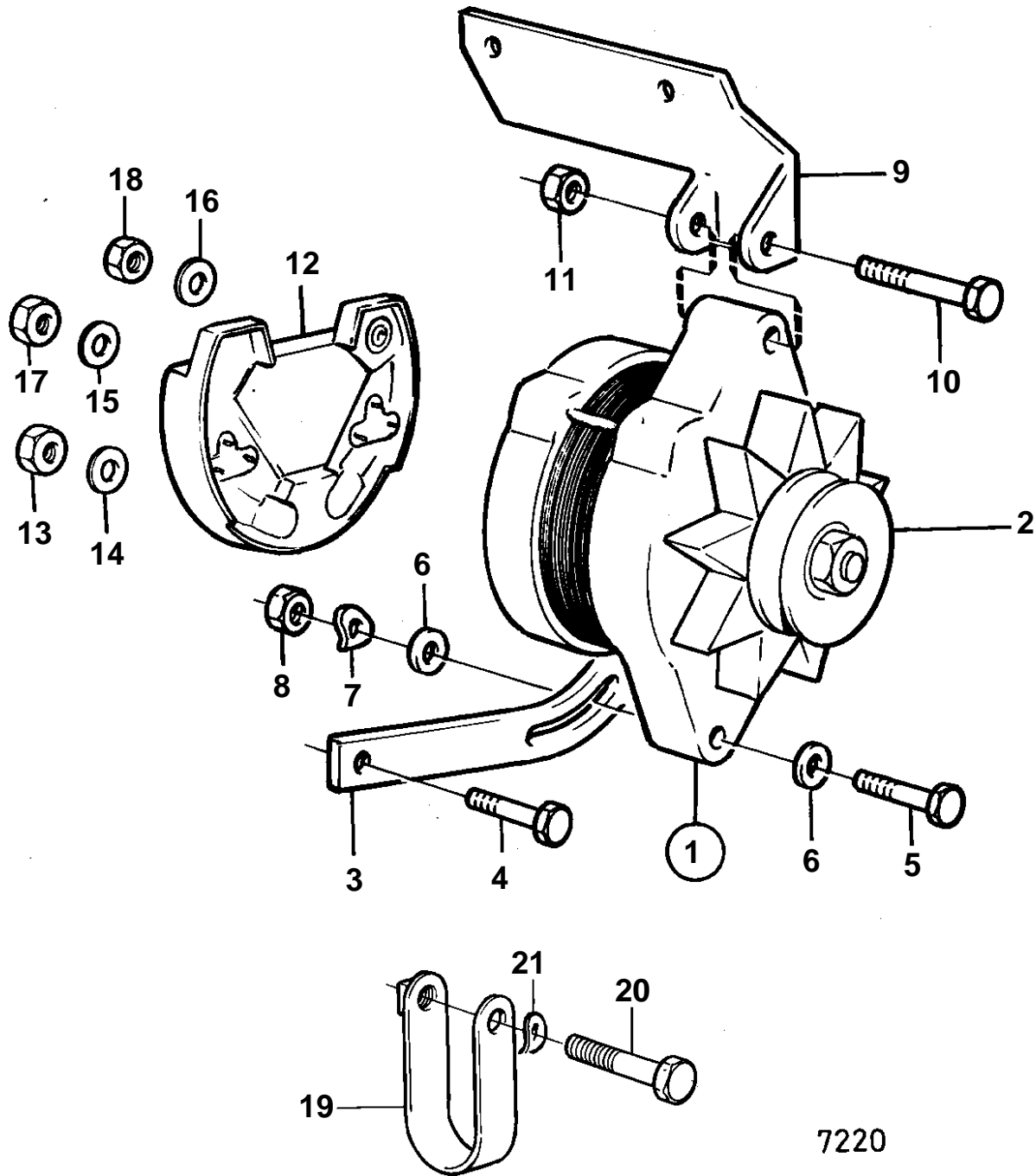


AQ225D



AQ225D

| REF | PART NO. | QTY | DESCRIPTION | SEE SEC. | NOTES |
|-----|----------|-----|-------------------|----------|--|
| 1 | 826495 | 1 | Alternator | | AQ200D MO-11576, AQ225D MO-11736, AQ260A MO-11506, AQ290A MO-12259. |
| | | | | 17245 | |
| | | 1 | Alternator | | AQ200D MO 11577-, AQ225D MO 11737-, AQ260A MO 11507-, AQ290A MO12260-., 35A REPL BY 841769 |
| | | | | 17245 | |
| | | 1 | Alternator | | REPLACED BY 1 ALTERATOR 841765 AND 1 CABLE UNIT 841822., 35A MO-28264 |
| | | | Bulletin 49-04 | 49-04-EN | Alternators |
| 1 | | | | 17245 | |
| | 841765 | 1 | Alternator | | 50A MO28265- REPL BY 858838 |
| | | | | 17244 | |
| 2 | 841813 | 1 | Pulley | | |
| 3 | 835352 | 1 | Tensioner | | EARLY TYPE |
| | 855390 | 1 | Tensioner | | LATE TYPE |
| 4 | 955534 | 1 | Hexagon screw | | |
| 5 | 940161 | 1 | Hexagon screw | | EARLY TYPE |
| 6 | 191172 | 2 | Washer | | EARLY TYPE |
| 7 | 941907 | 1 | Spring washer | | EARLY TYPE |
| 8 | 955826 | 1 | Hexagon nut | | EARLY TYPE |
| 9 | | 1 | Anchorage | | |
| 10 | 955700 | 1 | Hexagon screw | | |
| 11 | 950375 | 1 | Lock nut | | |
| 12 | 840638 | 1 | Junction block | 17244 | |
| 13 | 955781 | 2 | · Hexagon nut | | |
| 14 | 941906 | 2 | · Spring washer | | |
| 15 | 941906 | 1 | Spring washer | | |
| 16 | 941905 | 1 | Spring washer | | |
| 17 | 955781 | 1 | Hexagon nut | | + |
| 18 | 955780 | 1 | Hexagon nut | | - |
| 19 | 466735 | 1 | Tensioning eyelet | | LATE TYPE |
| 20 | 955298 | 1 | Hexagon screw | | LATE TYPE |
| 21 | 941907 | 1 | Spring washer | | LATE TYPE |