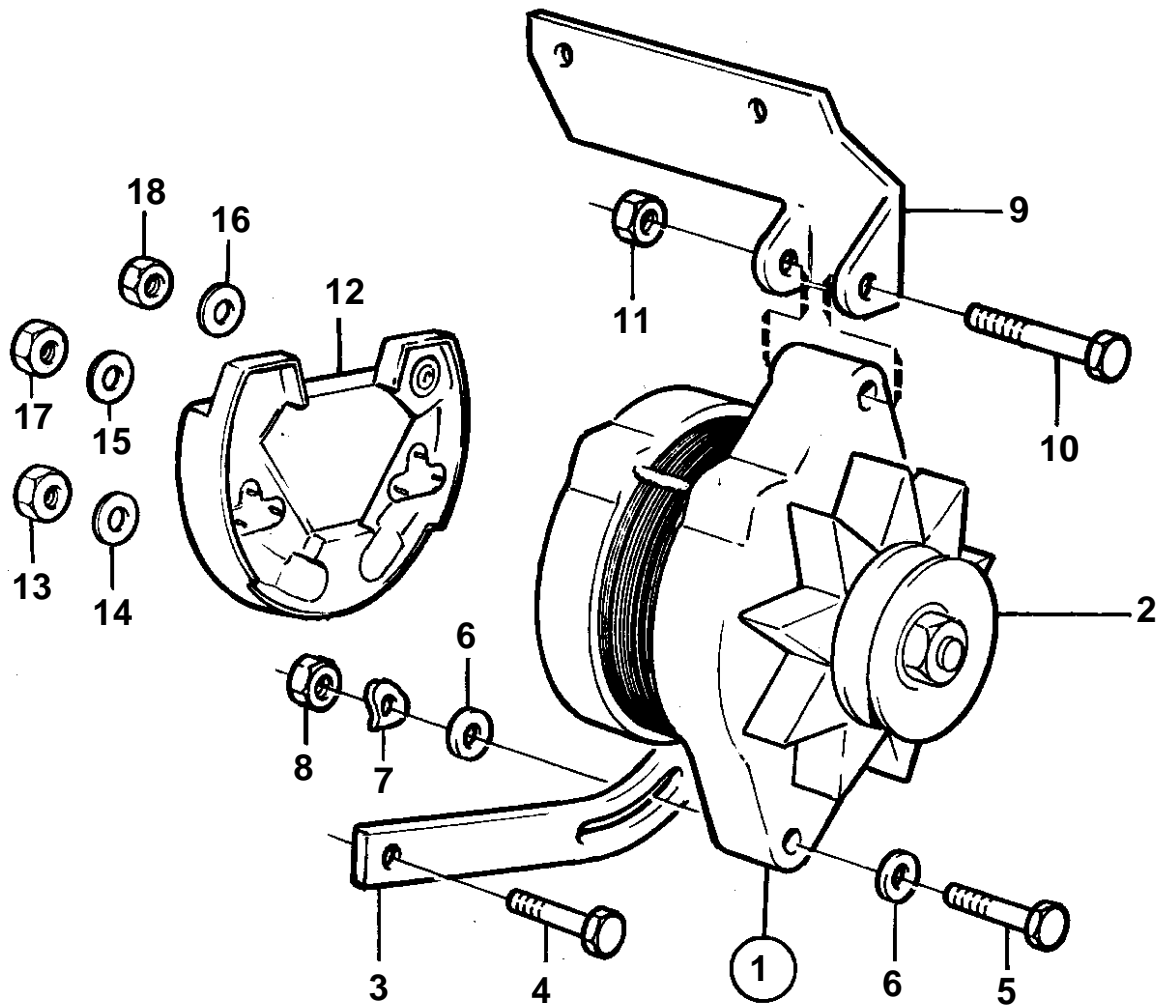


BB225A



6101

BB225A

REF	PART NO.	QTY	DESCRIPTION	SEE SEC.	NOTES
1		1	Alternator		35A REPL BY 841769
				17245	
		1	Alternator		REPLACED BY 1 ALTERATOR 841765 AND 1 CABLE UNIT 841822., 35A
			Bulletin 49-04	49-04-EN	Alternators
1				17245	
		1	Alternator		FOR ENGINE WITH OPPOSITE ROTATION., REPLACED BY 1EA ALTERNATOR 841989 AND 1EA PULLBY 829312., 35A
			Bulletin 49-04	49-04-EN	Alternators
1				17245	
	841989	1	Alternator		FOR ENGINE WITH OPPOSITE ROTATION., 35A
				17245	
	841765	1	Alternator		50A REPL BY 858838
				17244	
2	841813	1	Pulley		
		1	Pulley		FOR ENGINE WITH OPPOSITE ROTATION.
3	835352	1	Tensioner		
4	955534	1	Hexagon screw		
5	940161	1	Hexagon screw		
6	191172	2	Washer		
7	941907	1	Spring washer		
8	955826	1	Hexagon nut		
9		1	Anchorage		
10	955700	1	Hexagon screw		
11	950375	1	Lock nut		
12	840638	1	Junction block	17244	
13	955781	2	· Hexagon nut		
14	941906	2	· Spring washer		
15	941906	1	Spring washer		
16	941905	1	Spring washer		
17	955781	1	Hexagon nut		+
18	955780	1	Hexagon nut		-