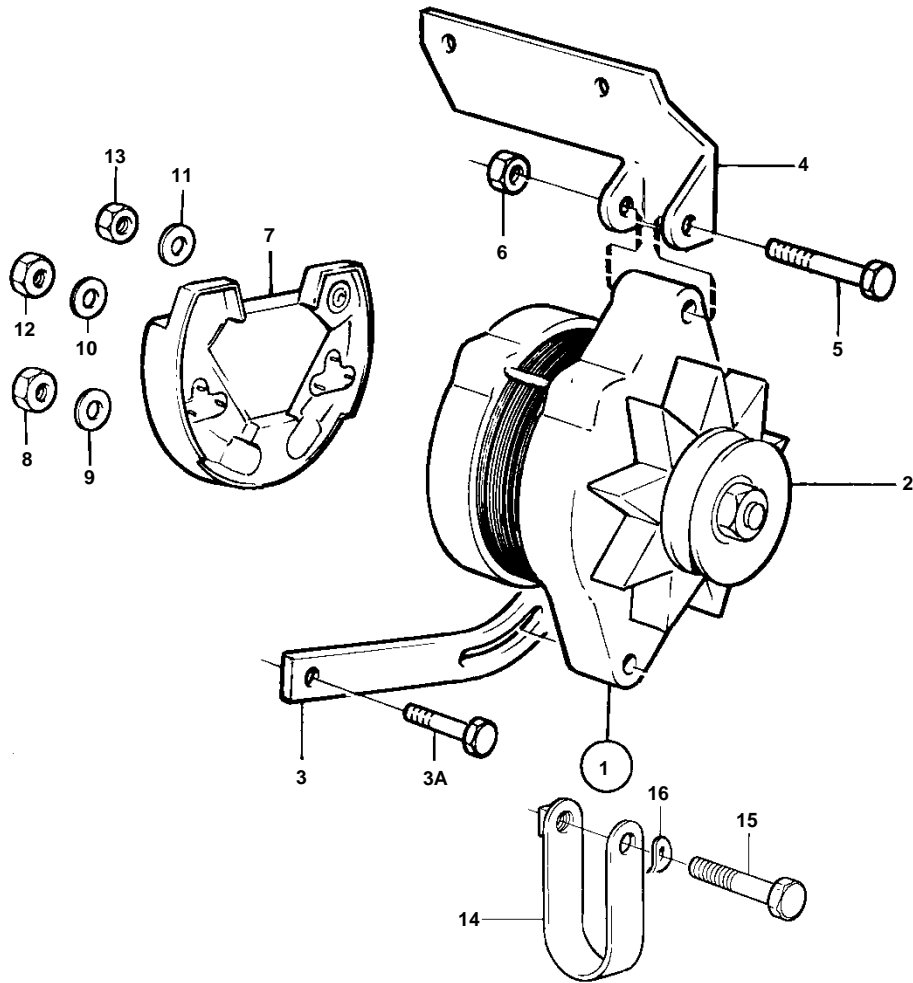


AQ225E



8064

AQ225E

| REF | PART NO. | QTY | DESCRIPTION | SEE SEC. | NOTES |
|-----|----------|-----|-------------------|----------|--------------------|
| 1 | 841765 | 1 | Alternator | 17244 | 50A REPL BY 858838 |
| 2 | 841813 | 1 | Pulley | | |
| 3 | 835352 | 1 | Tensioner | | |
| 3A | 955534 | 1 | Hexagon screw | | |
| 4 | | 1 | Anchorage | | |
| 5 | 955700 | 1 | Hexagon screw | | |
| 6 | 950375 | 1 | Lock nut | | |
| 7 | 840638 | 1 | Junction block | 17244 | |
| 8 | 955781 | 2 | · Hexagon nut | | |
| 9 | 941906 | 2 | · Spring washer | | |
| 10 | 941906 | 1 | Spring washer | | |
| 11 | 941905 | 1 | Spring washer | | |
| 12 | 955781 | 1 | Hexagon nut | | + |
| 13 | 955780 | 1 | Hexagon nut | | |
| 14 | 466735 | 1 | Tensioning eyelet | | |
| 15 | 955298 | 1 | Hexagon screw | | |
| 16 | 941907 | 1 | Spring washer | | |