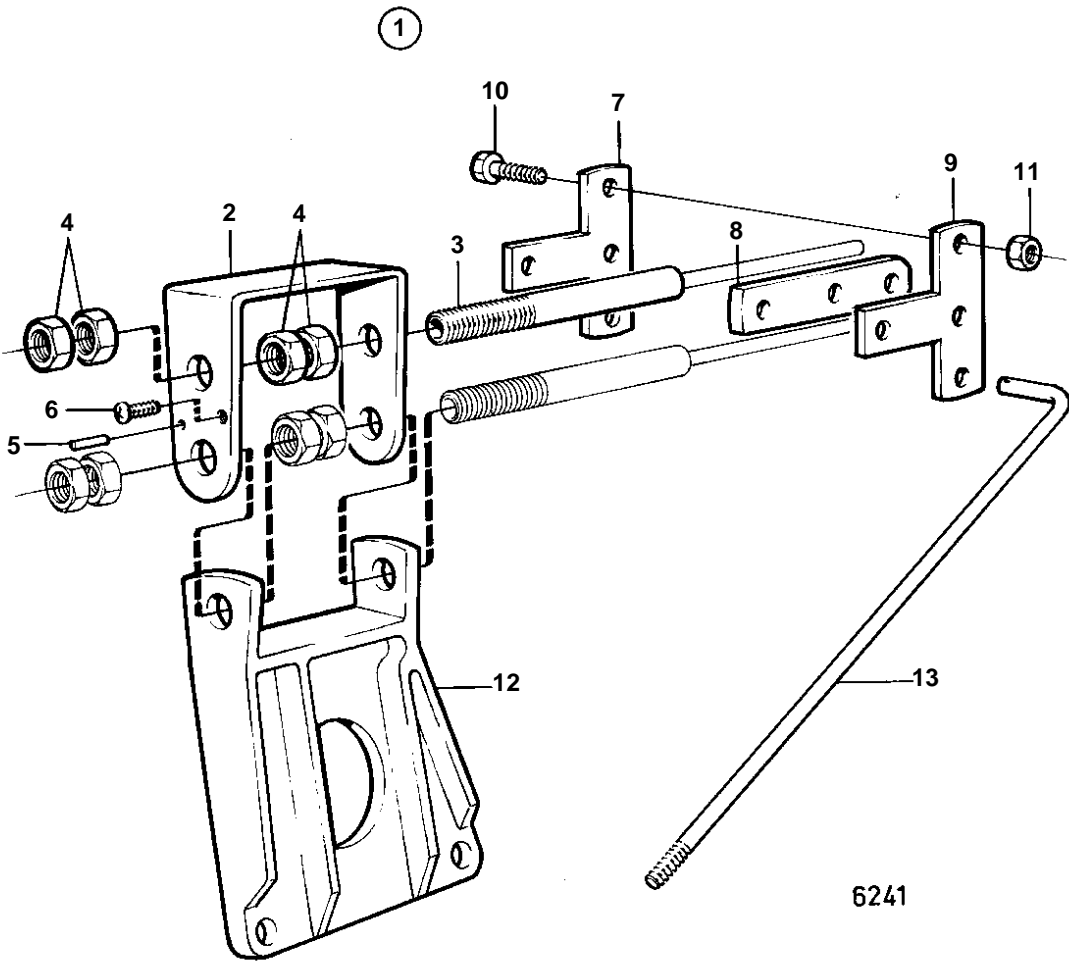


AQ211A



AQ211A

REF	PART NO.	QTY	DESCRIPTION
1		1	Mounting kit
2		1	· BRACKET
3	850771	1	· Anchorage
4	850778	4	· Nut
5		1	· Spring pin
6		1	· SCREW
7		1	· T-nipple
8		1	· Intermediate section
9		1	· T-nipple
10	955535	3	· Hexagon screw
11	950364	3	· Lock nut
12		1	BRACKET
13		1	LINK ROD