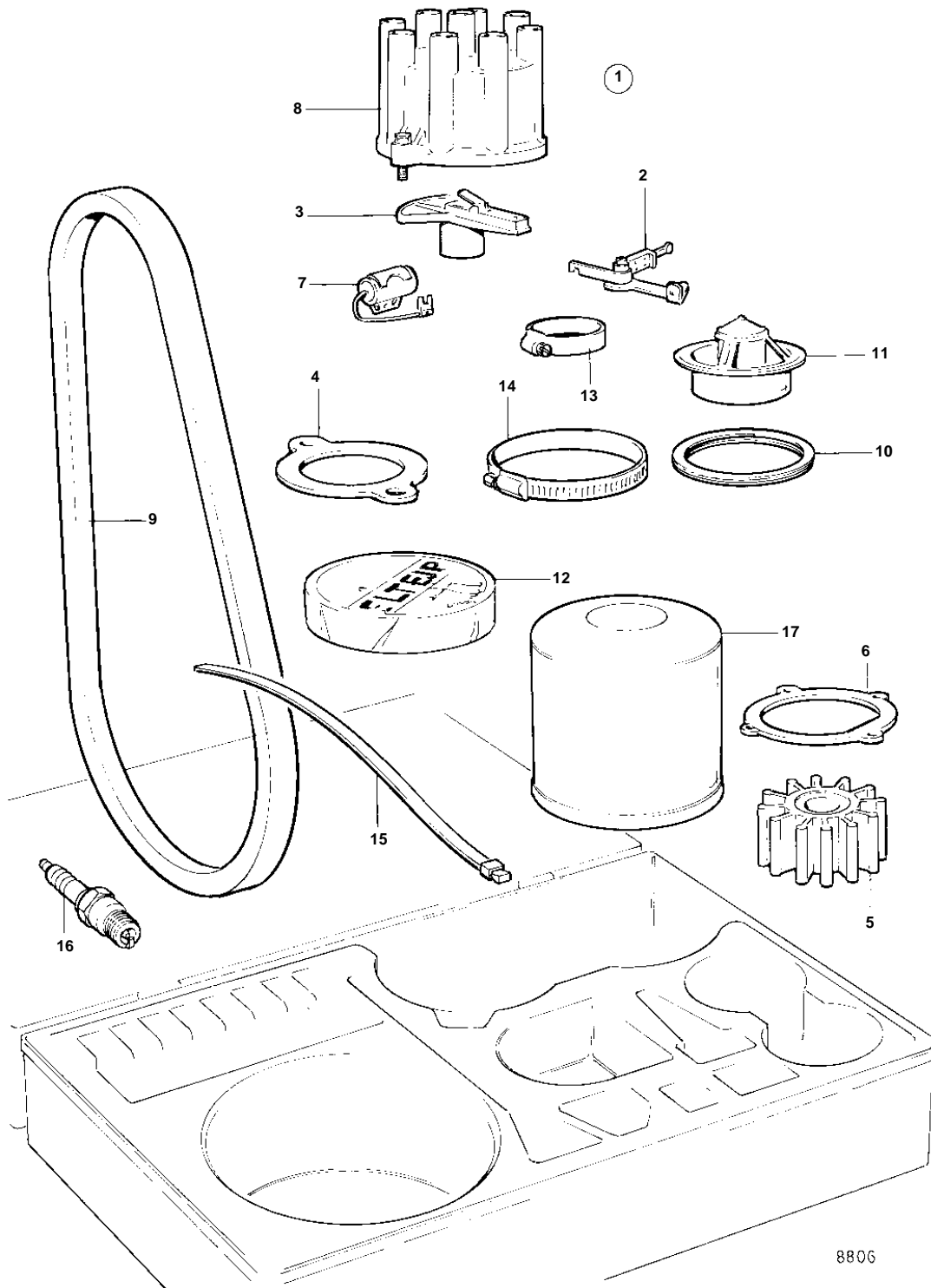


AQ211A



AQ211A

REF	PART NO.	QTY	DESCRIPTION	NOTES
1		1	Onboard kit	
2	835705	1	· Switch kit	
3	855845	1	· Rotor	
4	416033	1	· Sealing ring	
5		1	· IMPELLER	INCLUDED IN IMPELLER KIT 875811.
6	841610	1	· Gasket	
7	835704	1	· Condenser kit	
8	841070	1	· Cover	
9	958498	1	· V-belt	
10	835417	1	· Gasket	
11		1	· THERMOSTAT	INCLUDED IN THERMOSTAT KIT 876305.
12	858283	1	· Tape	
13	961667	2	· Hose clamp	
14	961672	2	· Hose clamp	
15	948210	10	· Cable tie	
16		8	· SPARK PLUG	INCLUDED IN SPARK PLUG KIT 876047.
17	855686	1	· Fuel filter	