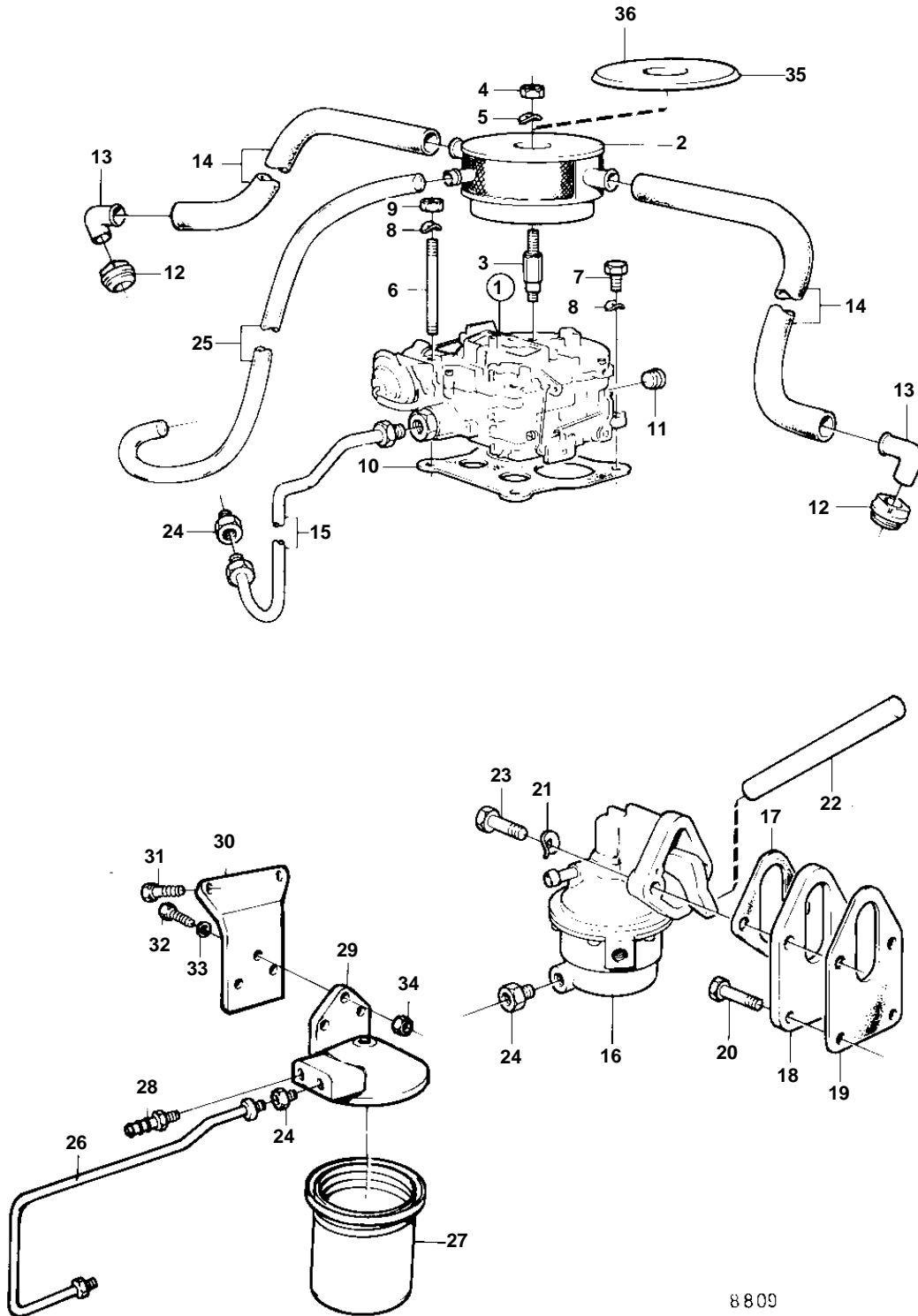


AQ211A



8809

AQ211A

REF	PART NO.	QTY	DESCRIPTION	SEE SEC.	NOTES
1		1	Carburetor		
				17367	
2		1	Flame shield		
3	834796	1	Stud		
4	950352	1	Lock nut		
5	941906	1	Spring washer		
6	835455	4	Stud		
7					
8	941907	4	Spring washer		
9	950373	4	Lock nut		
10		1	Gasket		SEE GROUP 2B
11	952075	1	Plug		
12	835415	2	Rubber bushing		SEE GROUP 2A
13	841546	2	Hose attachment		SEE GROUP 2A
14	941995	X	Hose		L = 2X300 MM
15	841357	1	Fuel pipe		
16	826493	1	Fuel pump		
		X	· COMPONENTS		
17	856031	1	Gasket		(818668)
18	835333	1	Flange		
19	856030	1	Gasket		
20	841426	2	Screw		
21	942336	2	Spring washer		
22	835422	1	Push rod		
23	940162	2	Hexagon screw		
24	180303	3	Nipple		
25	941149	X	Hose		L = 700 MM
26	855668	1	Tube		
27	855686	1	Fuel filter		
28	834781	1	Nipple		
29	855569	1	Cardboard tube		
30	855570	1	Bracket		
31	841426	2	Screw		
32	955295	3	Hexagon screw		
33	941907	3	Spring washer		
34	955782	3	Hexagon nut		
35		1	Cover		
36		1	Decal		