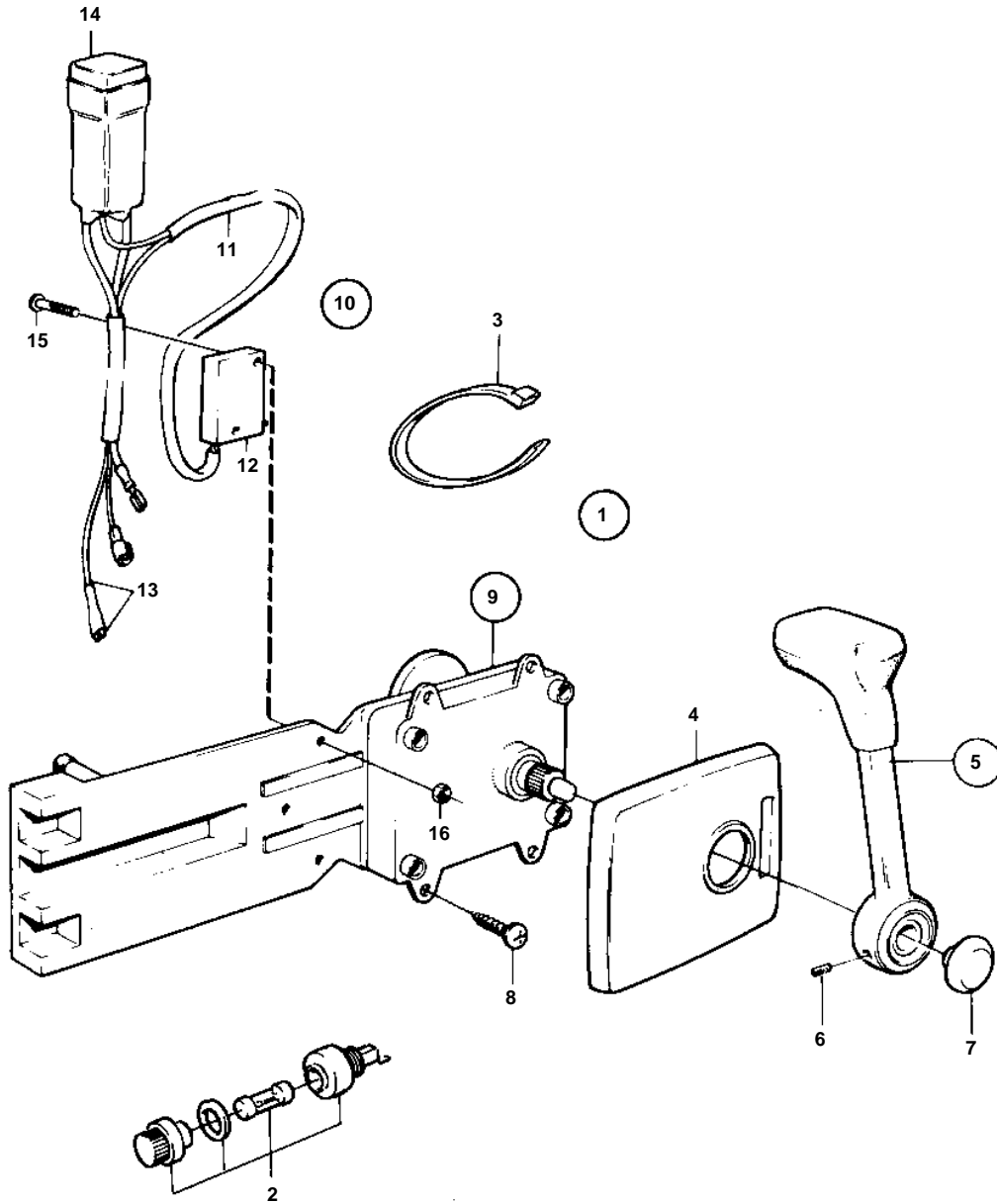


COMMON



8887

COMMON

REF	PART NO.	QTY	DESCRIPTION	
1	1140091	1	Mounting kit	
2	841073	1	· Fuse holder	
		1	· FUSE	
		1	· O-RING	
3	948210	1	· Strip clamp	
4	853713	1	· Cover	IK
7	853004	1	· Push button	IK
8	961330	4	· Screw	

