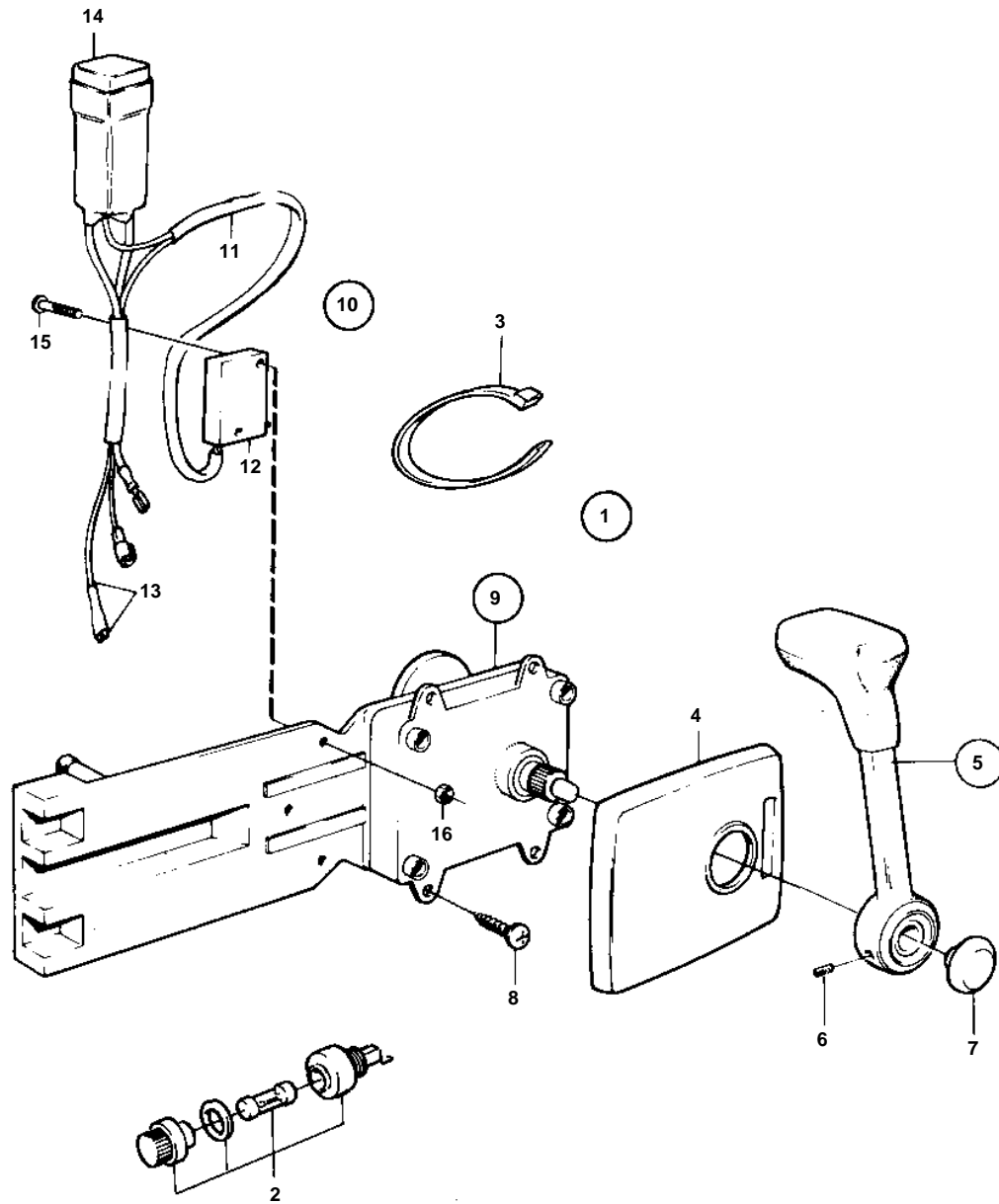


COMMON



8887

COMMON

REF	PART NO.	QTY	DESCRIPTION	SEE SEC.	NOTES
1	853102	1	Mounting kit		INSTALLATION KIT REPLACED BY 1140090.
4	1140048	1	· Cover	IK	(839518)
5	852347	1	· Lever		
				090-0270	
6	963678	1	· Screw		
7	853004	1	· Push button	IK	
8	955142	4	· Screw		
9	851601	1	Control		SIDE-MOUNTED REPLACED BY 1140095.
				090-0280	
10	855352	1	Neutral posit contac		
11	839619	1	· Cable kit		
12	850200	1	· Switch		
13		X	· CABLES AND TERMINALS		SEE GROUP 3
14	876037	1	· Relay kit		(1501832)
15	946177	2	· Screw		
16	947536	2	Nut		