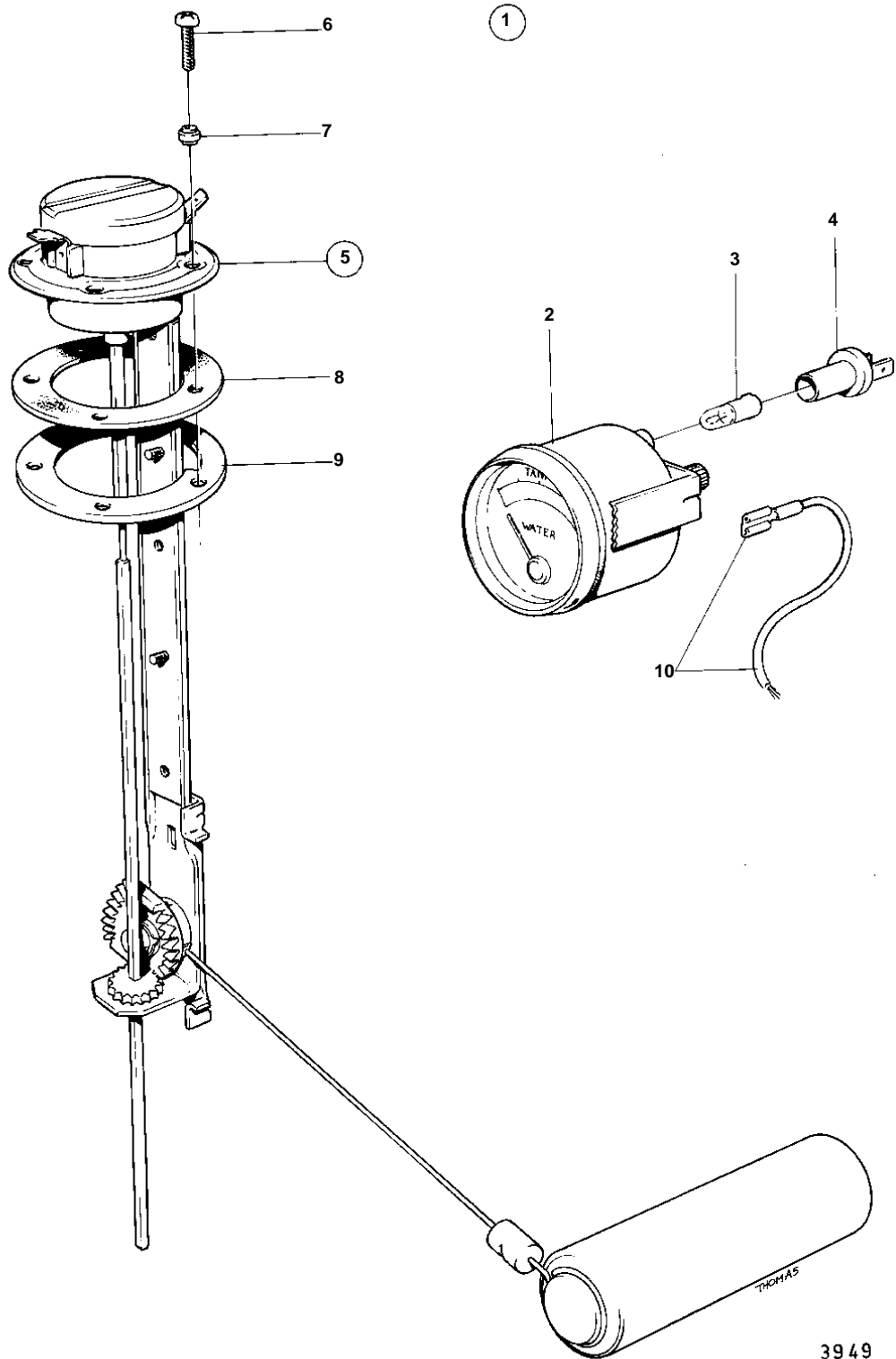


COMMON



## COMMON

| REF | PART NO. | QTY | DESCRIPTION                | NOTES                 |
|-----|----------|-----|----------------------------|-----------------------|
| 1   | 834399   | 1   | Tank gauge                 | FOR SHAFT DIAM. 45MM. |
| 2   | 834378   | 1   | · Tank gauge               |                       |
| 3   | 19923    | 1   | · Bulb                     |                       |
| 4   | 808175   | 1   | · Bulb socket              |                       |
| 5   | 837999   | 1   | · Tank sensor              |                       |
| 6   | 956078   | 4   | · · Screw                  | L = 16 MM             |
|     | 956081   | 1   | · · Screw                  | L = 25 MM             |
| 7   | 834481   | 5   | · · Gasket                 |                       |
| 8   | 89865    | 1   | · · Gasket                 |                       |
| 9   | 834480   | 1   | · · Flange                 |                       |
| 10  |          | X   | CABLES AND CABLE TERMINALS | SEE GROUP 3           |