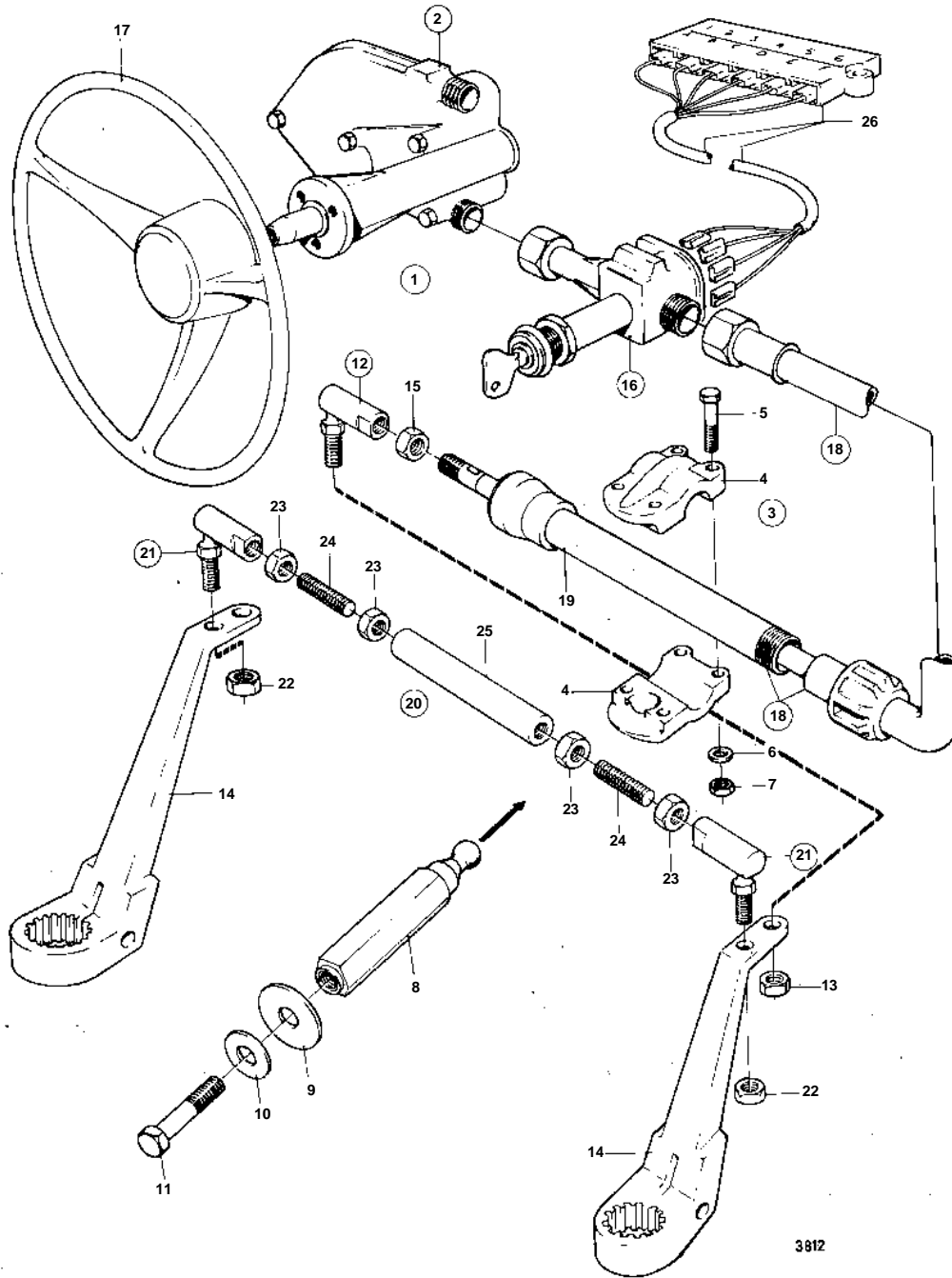


AQ200B, AQ225B



AQ200B, AQ225B

REF	PART NO.	QTY	DESCRIPTION	SEE SEC.	NOTES
1	850809	1	Steering head		
				13059	
2		1	Anchorage ATTACHMENT		
3		2	• CLAMP BLOCK		
4		4			
5	941906	4	• Spring washer		
6	955846	4	• Hexagon nut		
7		1	• PIVOT		
8	945544	1	• Washer		
9	18702	1	• Washer		
10		1	• Hexagon screw		
11		1	Ball joint		
12	950386	1	• Lock nut		
13			STEERING LEVER		SEE GROUP 4A
14	940154	1	Hexagon nut		
15		1	Steering lock		
				13060	
16	850936	1	Steering wheel		
17		X	STEERING CABLE		REPLACED BY 837347,837348,837349 AND CONNECTING COMPONENT S FOR NEW PIPES, L = 3000 MM
		X	STEERING CABLE		FOR EARLY TYPE OF 832394., L = 3300 MM
		X	STEERING CABLE		FOR SPED.867167, 867224, 867266., L = 3600 MM
		X	STEERING CABLE		FOR 839230 AND EARLY TYPE OF 839094., L = 3900 MM
		X	STEERING CABLE		NOT INCLUDED IN 839230., L = 4200 MM
		X	STEERING CABLE		MARKED1,INSTALL. IN PUMP HOUSING MARKED1., L = 4500 MM
		X	STEERING CABLE		MARKED2,INSTALL. IN PUMP HOUSING MARKED2., L = 4800 MM
		X	STEERING CABLE		SINGLE ENGINE INSTALLATION., L = 5100 MM
		X	STEERING CABLE		TWIN ENGINE INSTALLATION., L = 5500 MM
		X	STEERING CABLE		INCLUDED IN 839088., L = 6700 MM
		X	STEERING CABLE		INCLUDED IN 839229., L = 7900 MM
		X	STEERING CABLE		INCLUDED IN 850137., L = 8500 MM
18		1	• Tube		
19		1	Tie rod		INCLUDED IN 850138.
20		2	• Ball joint		
21	950386	2	• • Lock nut		
22	940154	4	• Hexagon nut		
23		2	• Rod		
24		1	• Tube		
25		1	Extension cable'verl		L = 850 MM
26			Cables and terminals		