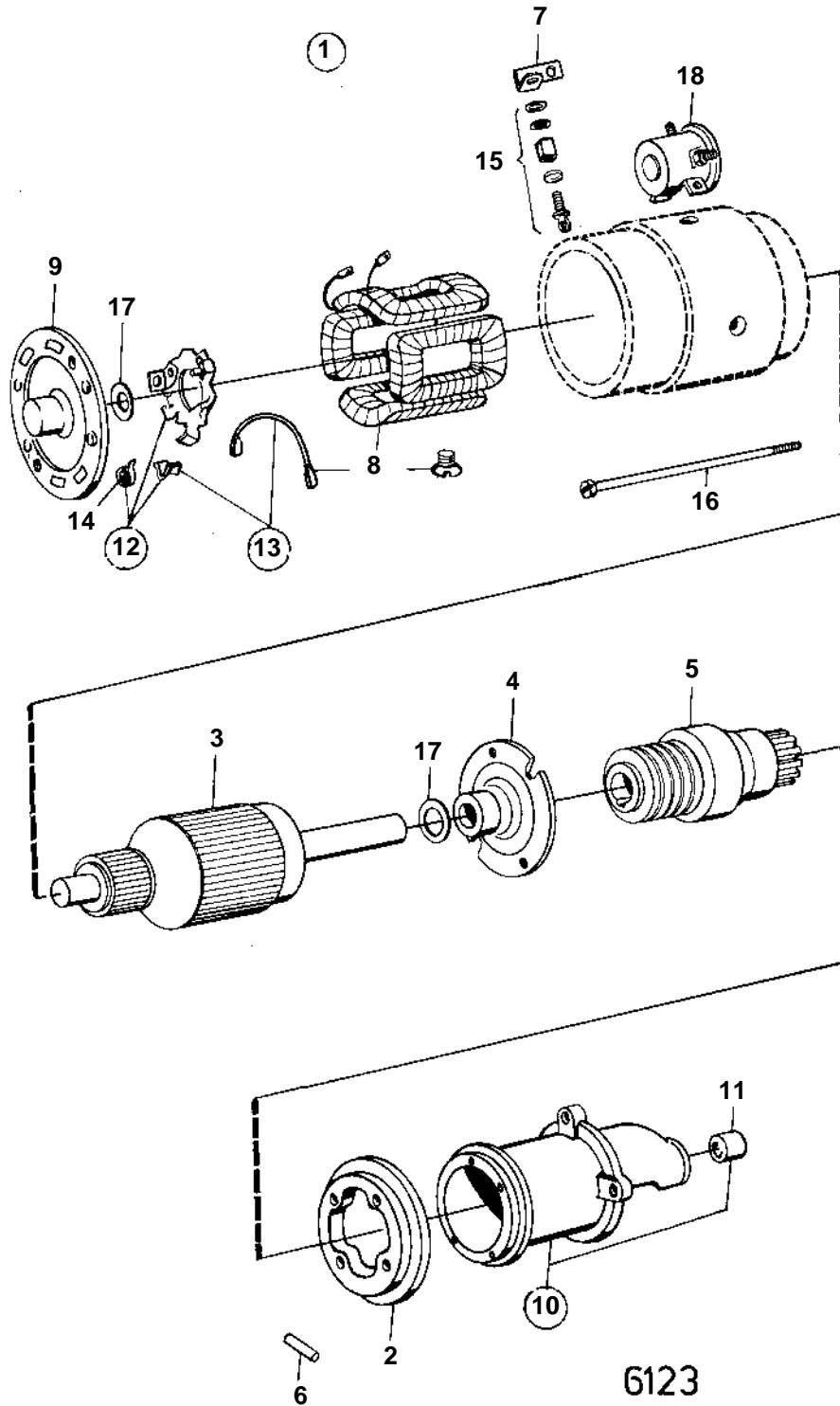


AQ200B, AQ225B



6123

AQ200B, AQ225B

REF	PART NO.	QTY	DESCRIPTION	NOTES
1	834893	1	Starter motor	
2		1	· Cover	
3		1	· Rotor	
4		1	· Bearing	
5		1	· Starter pinion	
6		1	· Pin	
7		1	· Connecting rail	(834907)
8		1	· Field coil	
9		1	· Head	
10		1	· End cover	
11		1	· · Bearing	
12		1	· Brush retainer plate	
13	834914	1	· Carbon brush	
14		1	· Spring kit	
15		1	· Connector kit	
16		1	· Screw kit	
17		1	· Washer kit	
18	834894	1	· Actuator solenoid	