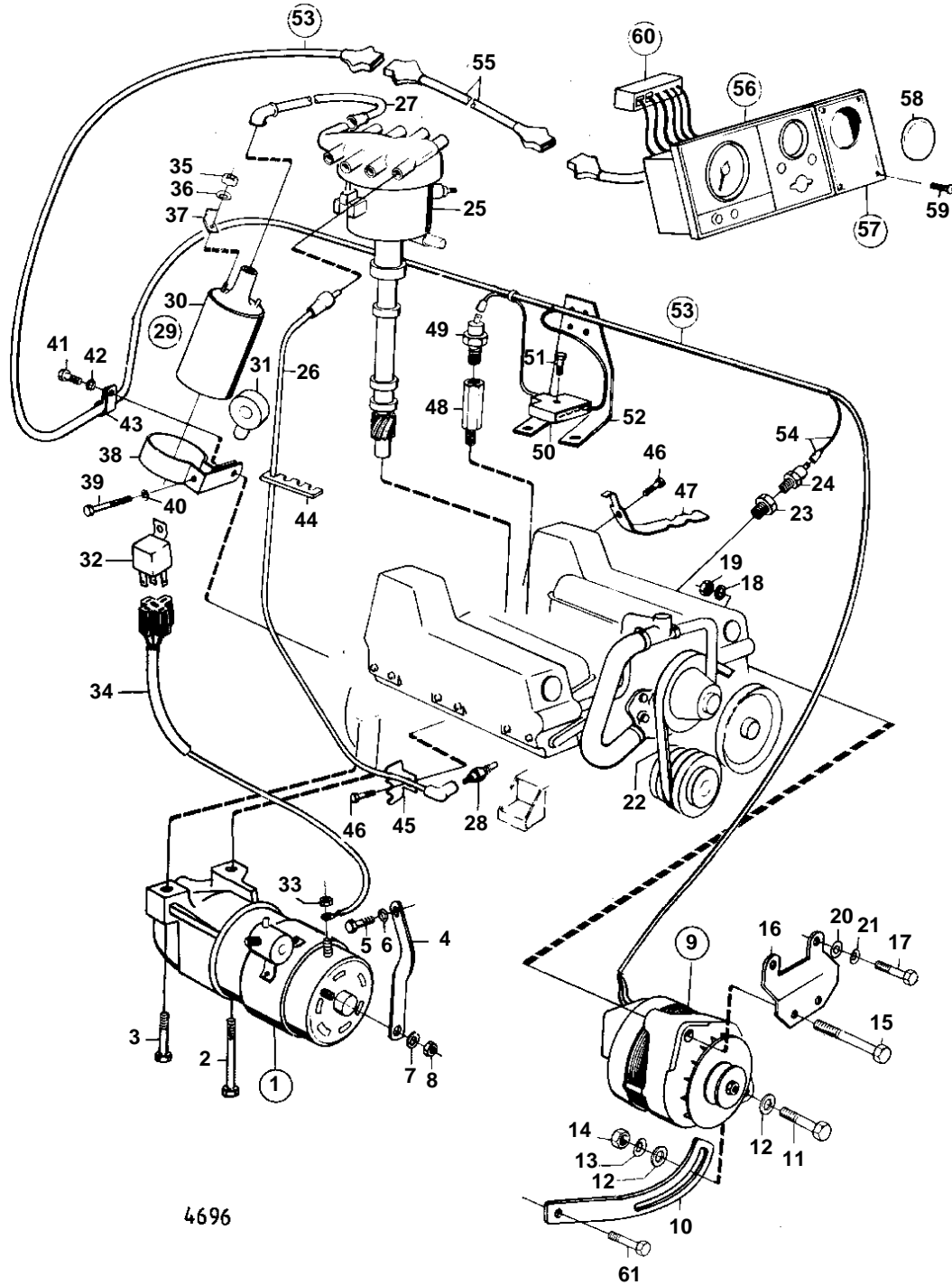


AQ200B, AQ225B



4696

AQ200B, AQ225B

REF	PART NO.	QTY	DESCRIPTION	SEE SEC.	NOTES
1		1			
				13047	
	834893	1	Starter motor		
				13048	
2	835424	1	Screw		
3	835425	1	Screw		
4		1	Bracket		
5	940113	1	Hexagon screw		
6	941907	1	Spring washer		
7	941906	1	Spring washer		
8	955825	1	Hexagon nut		
9	829251	1	Alternator		35A REPL BY 834609
				13044	
	834609	1	Alternator		35A REPL BY 826495
				13044	
	826495	1	Alternator		35A REPL BY 841379
				13045	
		1	Alternator		35A REPL BY 841769
				13045	
		1	Alternator		ACC. TO CLASSIFICATION., 35A
			Bulletin 49-04	49-04-EN	Alternators
9				13045	
	841765	1	Alternator		50A
				13046	
10	835352	1	Tensioner		
11	940161	1	Hexagon screw		
12	191172	2	Washer		
13	941907	1	Spring washer		
14	955826	1	Hexagon nut		
15	955554	1	Hexagon screw		
16		1	Bracket		
17	941939	2	Screw		
18	941909	1	Spring washer		
19	940157	1	Hexagon nut		
20	940097	2	Washer		
21	942336	2	Spring washer		
22	958498	1	V-belt		SEE GROUP 2B
23		1	Nipple		SEE GROUP 2B
24	824552	1	Temperature sensor		SEE GROUP 2B
25		1	DISTRIBUTOR WITH INSTALLATION COMPONENTS	13043	
26	841228	2	Ignition cable		CYL 1,2
	841227	2	Ignition cable		CYL 3,4
	841226	2	Ignition cable		CYL 5,6
	841225	2	Ignition cable		CYL 7,8
27	841224	1	Ignition cable		
28	835269	8	Spark plug		
29		1	Service kit		REPLACED BY LATE TYPE 845108., (835474)
		1	Service kit		EARLY TYPE
30		1	• Ignition coil		LATE TYPE
31	831875	1	• Series resistance		ENGINE WITH OIL SUPERVISION IN REAR OIL PAN COVER.
32		1	• Relay		ENGINE WITH OIL SUPERVISION IN REAR OIL PAN COVER.
33	955834	1	• Hexagon nut		ENGINE WITH OIL SUPERVISION IN REAR OIL PAN COVER.
34		1	• Cable trunk		ENGINE WITH OIL SUPERVISION IN REAR OIL PAN COVER.
		X	• • CABLE AND CABLE TERMINALS	13042	

AQ200B, AQ225B

REF	PART NO.	QTY	DESCRIPTION	SEE SEC.	NOTES
35	955844	2	· · · Hexagon nut		STATE KEY CODE WHEN ORDERING
36	941905	2	· · · Spring washer		STATE KEY CODE WHEN ORDERING
37	829311	2	Tab	13042	
38		1	Bracket		
39		1	Cross recessed screw		
40	941905	1	Spring washer		
41	955534	1	Hexagon screw		
42	942336	1	Spring washer		
43	942810	1	Clamp		
44		2	Retainer		
45		2	Retainer		
46	835369	4	Screw		
47	835427	2	Retainer		
48	42768	1	Nipple		SEE GROUP 2A
49	1266085	1	Pressure switch		SEE GROUP 2A
50	824823	1	Fuse box		
51		1	Cross recessed screw		
52		1	Cable attachment		SEE GROUP 2B, 2D
53		1	Cable trunk		
54		X	· CABLE AND CABEL TERMINALS	13042	
55	825738	X	Cable trunk		L = 2500 MM
	820419	X	Cable		L = 7000 MM
56		1	Instrument panel		
				13049	
57		1	Instrument panel		
58	839128	1	· Plastic plug		
59	944540	4	· Screw		
60	827940	1	Alarm kit		SEE GROUP 9
61	941939	1	Screw		