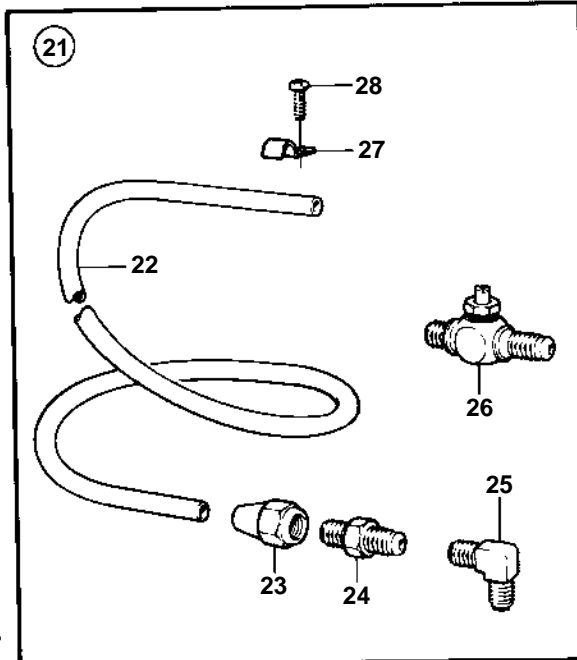
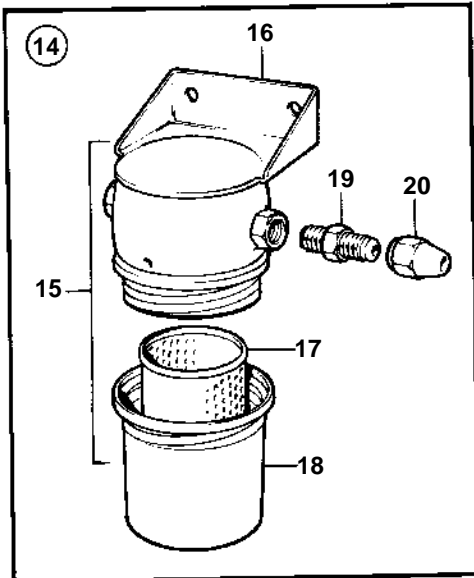
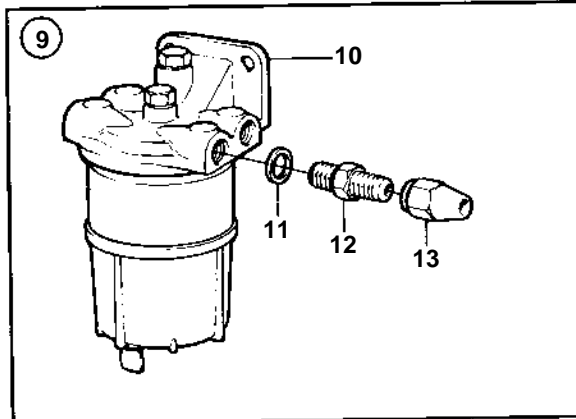
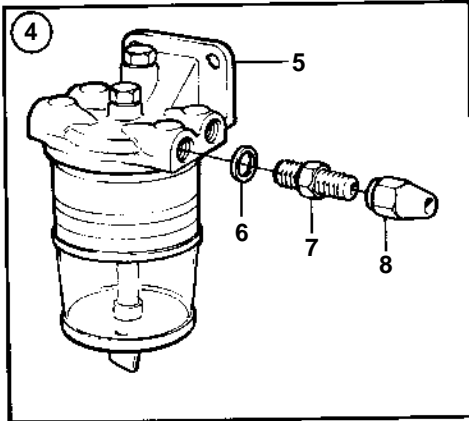
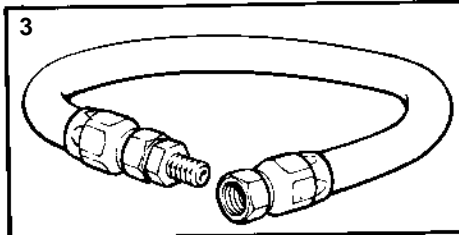
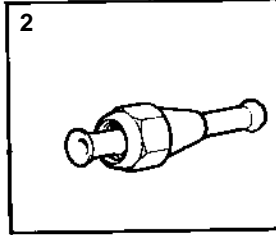
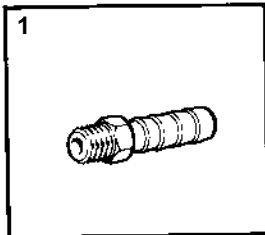


COMMON



6187

COMMON

REF	PART NO.	QTY	DESCRIPTION	SEE SEC.	NOTES
1	855117	1	Nipple		1/8"-27 NPTF
	855207	1	Nipple		1/4"-18 NPTF
2	829744	1	Hose connection		5/16"
	855129	1	Connector		5/16"
3	831630	1	Fuel hose		1/8"NPTF-1/2"UNF
	1141555		Fuel hose		D = 10 MM, ALT
	834899	1	Fuel hose		1/4"NPTF-5/8"UNF
	1141554		Fuel hose		D = 6,3 MM, ALT
4	845109	1	Fuel filter kit		5/16", 3/8"
			Bulletin 50-03	50-03-EN	Extra Fuel/Water Separators, D2010, D22
5	821094	1	• Fuel strainer		
			• Bulletin 50-03	50-03-EN	Extra Fuel/Water Separators, D2010, D22
6	18817	2	• Gasket		
7	191397	2	• Nipple		5/16"
	941438	2	• Nipple		3/8"
8	954322	2	• Cap nut		5/16"
	954323	2	• Cap nut		3/8"
9	833972	1	Water separator		5/16", 3/8"
10	833971	1	• Water separator		
11	957176	2	• Gasket		
12	191397	2	• Nipple		5/16"
	941438	2	• Nipple		3/8"
13	954322	2	• Cap nut		5/16"
	954323	2	• Cap nut		3/8"
14	841071	1	Filter		REPL BY 855952
15	841054	1	• Fuel filter, FUEL FILTER		REPL BY 855952
				090-0550	
16		1	• • HOUSING		
17	841162	1	• • Filter		
18		1	• • COVER		
19	190962	2	• Nipple		5/16"
	954337	2	• Nipple		3/8"
20	954322	2	• Cap nut		5/16"
	954323	2	• Cap nut		3/8"
21	827912	1	Fuel line		5/16"
22	943847	1	• Tube		5/16", L=5000MM
23	954322	3	• Cap nut		
24	954336	2	• Nipple		
25	954343	1	• Elbow nipple		
26	824599	1	• Tap		
27	951189	15	• Clamp		
28	955139	15	• Screw		