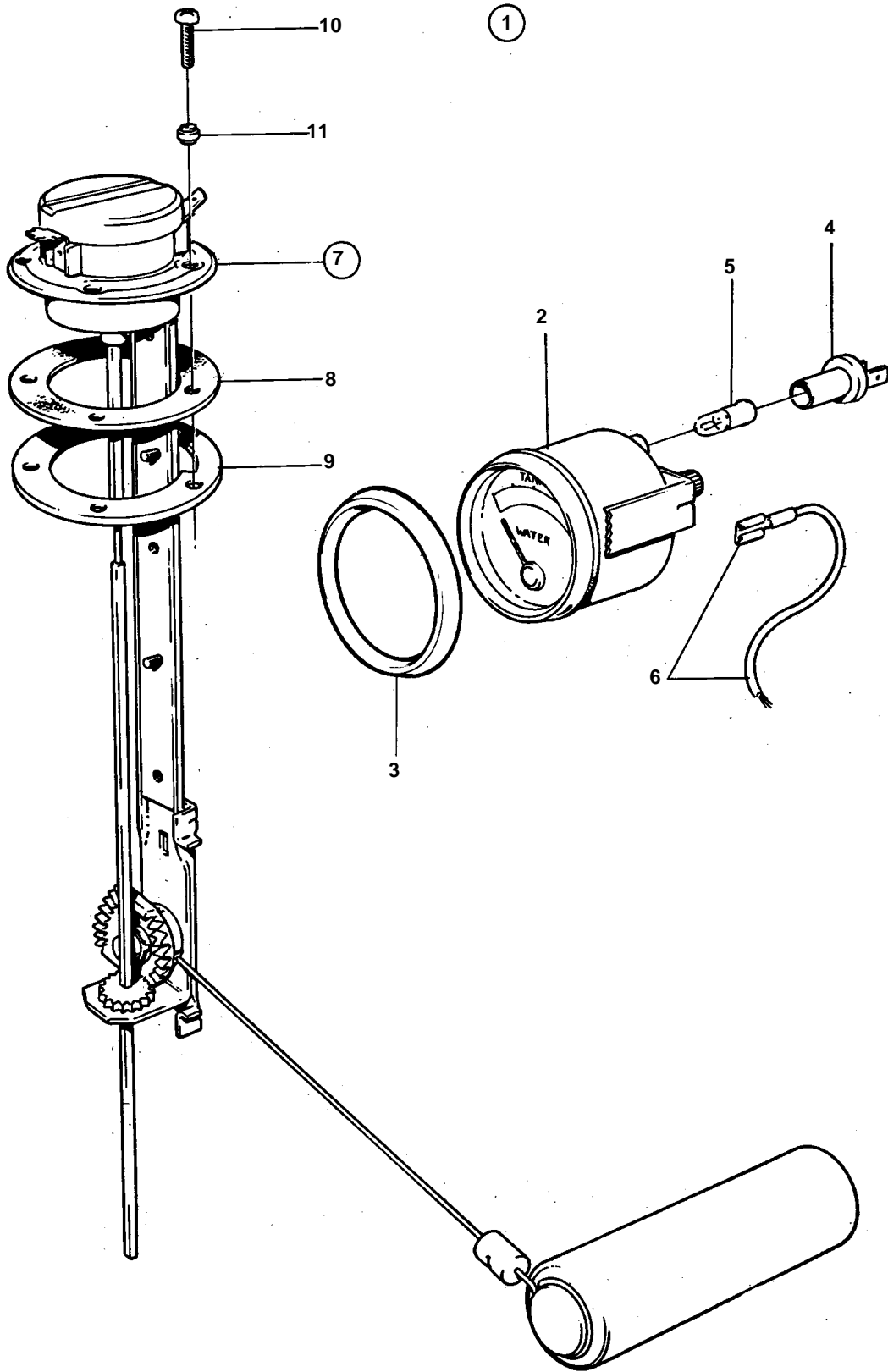


COMMON



## COMMON

REF	PART NO.	QTY	DESCRIPTION	NOTES
1	858882	1		24V, WATER
2	828636	1	• Tank gauge	
3	858643	1	• Front ring	
4	808175	1	• Bulb socket	
5	182059	1	• Bulb	
6		X	• CABLES AND TERMINALS	SEE GROUP 3
7	834389	1	• Sender	
8	89865	1	• • Gasket	
9	834480	1	• • Flange	
10	956078	4	• • Screw	L = 16 MM
11	834481	5	• • Gasket	