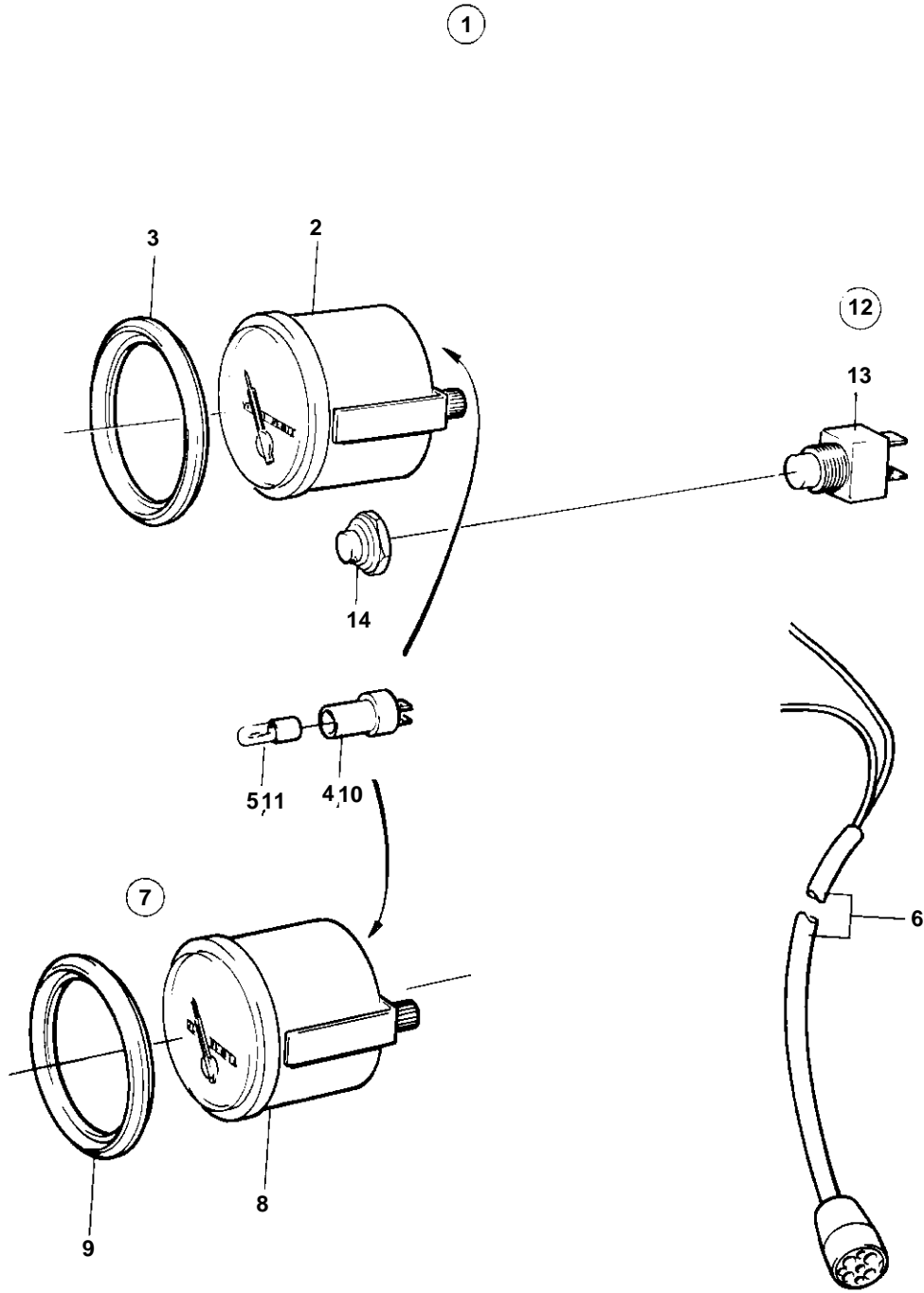


COMMON



9648

COMMON

| REF | PART NO. | QTY | DESCRIPTION | NOTES |
|-----|----------|-----|---------------|--------------------------------------------|
| 7 | 858878 | 1 | Voltmeter kit | |
| 8 | 828628 | 1 | · Voltmeter | |
| 9 | 858643 | 1 | · Front ring | |
| 10 | 808175 | 1 | · Bulb socket | |
| 11 | 19923 | 1 | · Bulb | |
| 12 | 828718 | X | Switch | CLOSING DURING PRESSURE AND SPRING-LOADED. |
| | 828719 | X | Switch | CLOSING-BREAKING. |
| 13 | 828584 | 1 | · Switch | FOR 828718 |
| | 828585 | 1 | · Switch | FOR 828719 |
| 14 | 828586 | 1 | · Button | |