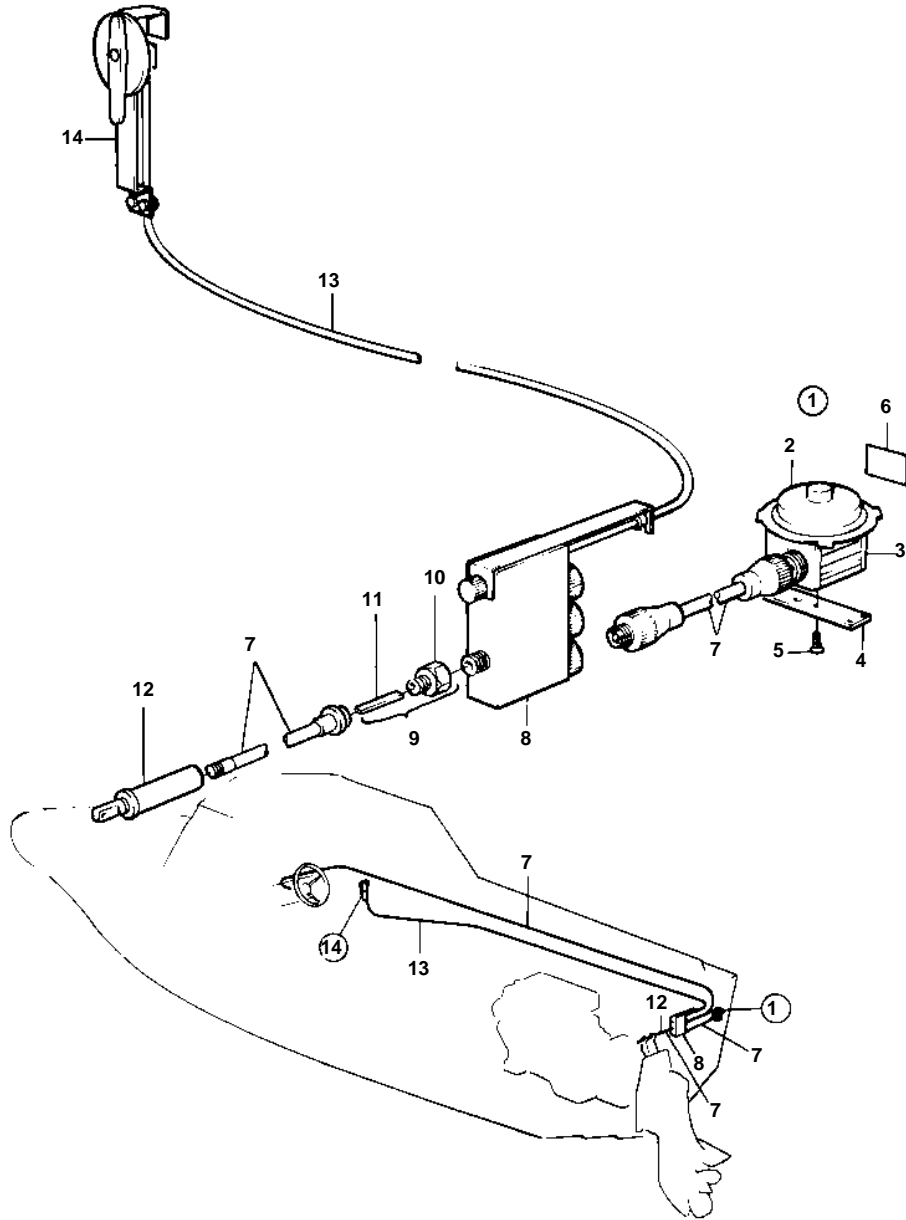


COMMON



7666

COMMON

REF	PART NO.	QTY	DESCRIPTION	SEE SEC.	NOTES
1	852031	1	Drive unit		12V
2	852032	1	· Electrical motor		REPL BY 852031
3		1	· GEAR		
4		1	· BRACKET		
5		2	· SCREW		
6		1	· DECAL		
7	825764	X	Stop cable	060-0200	
				060-0250	
8	851743	1	Transfer gear	060-0275	
9	853107	1	Connector kit	IK	
10		1	· ADAPTER		
11	853109	1	· Shaft		
12		1	STEERING CYLINDER	060-0200	
13	825765	X	Stop cable		L = 3300 MMALT
	825764	X	Stop cable		L = 6900 MMALT
14	851744	1	Control	060-0275	