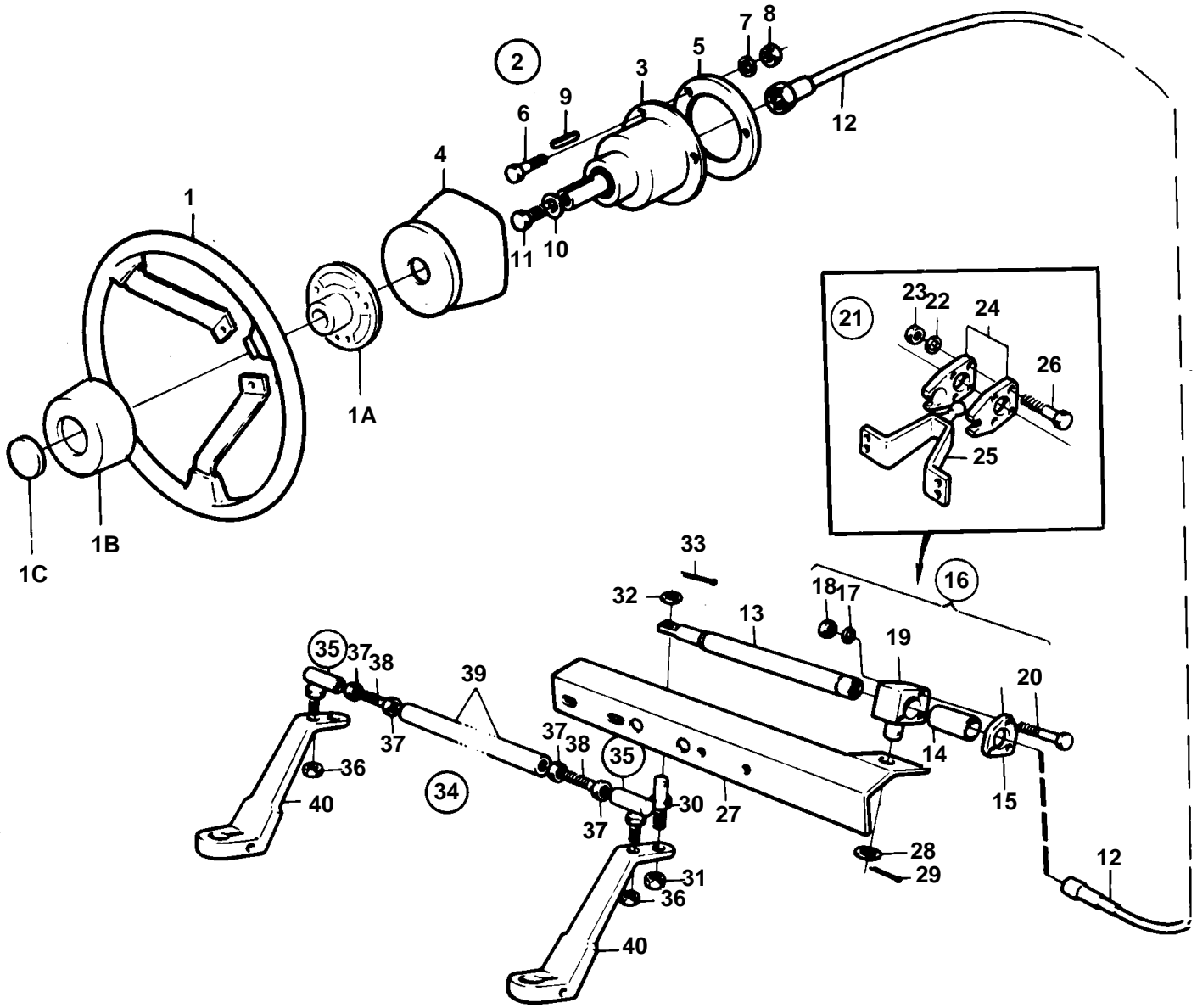


AQ131A,AQ131D



7534

AQ131A,AQ131D

REF	PART NO.	QTY	DESCRIPTION	NOTES
1	850936	1	Steering wheel	
1A	850937		Steering wheel hub	
1B	828943		Steering wheel pad	
1C	850938		Steering wh emblem	
2	851056	1	Steering head	
3		1	· STEERING GEAR	
4	851057	1	· Cover	
5	851069	1	· Washer	
6	940101	3	· Screw	
7	941906	3	· Spring washer	(955892)
8	955781	3	· Nut	
9	851349	1	· Key	
10	948823	1	· Washer	
11	940148	1	· Screw	
12	852035	X	Steering cable	L = 800 MM
	851016	X	Steering cable	L = 2500 MM. REPLACED BY 851017.
	851017	X	Steering cable	L = 2750 MM
	851018	X	Steering cable	L = 3000 MM
	851019	X	Steering cable	L = 3250 MM
	851020	X	Steering cable	L = 3500 MM
	851021	X	Steering cable	L = 3750 MM
	851022	X	Steering cable	L = 4000 MM
	851023	X	Steering cable	L = 4250 MM
	851024	X	Steering cable	L = 4500 MM
	851025	X	Steering cable	L = 4750 MM
	851026	X	Steering cable	L = 5000 MM
	851027	X	Steering cable	L = 5250 MM
	851028	X	Steering cable	L = 5500 MM
	851029	X	Steering cable	L = 5750 MM
	851030	X	Steering cable	L = 6000 MM
	851031	X	Steering cable	L = 6500 MM
	851032	X	Steering cable	L = 7000 MM
	851033	X	Steering cable	L = 7500 MM
	851034	X	Steering cable	L = 8000 MM
	851921	X	Steering cable	L = 8500 MM
	851922	X	Steering cable	L = 9000 MM
	851923	X	Steering cable	L = 9500 MM
13	851059	1	Steering cylinder	FOR PORT MOUNTING.
	851147	1	Steering cylinder	FOR STARBOARD MOUNTING.
14	851094	1	· Sleeve	
15	850961	1	· Washer	
16		1	MEANS OF ATTACHMENT	EARLY TYPE
17	941906	3	· Spring washer	
18	955751	3	· Screw	
19	828877	1	· Spare parts kit	
20	955289	3	· Screw	
21			· MEANS OF ATTACHMENT	LATE TYPE
22	941906	2	· Spring washer	
23	963105	2	· Nut	
24	828854	2	· Anchorage	
25		1	· BALLBOLT	
26	940101	2	· Screw	
27	851096	1	· Bracket	ONLY FOR TWIN INSTALLATION.
28	955903	1	· Washer	
29	907861	1	· Cotter pin	
30	850860	1	· Screw	
31	950386	1	· Nut	
32	940097	1	· Washer	
33	907849	1	· Cotter pin	SEE GROUP 4A
34	850890	1	Tie rod end kit	
35	814152	2	· Ball joint	
36	950386	2	· Nut	
37	940152	4	· Nut	

