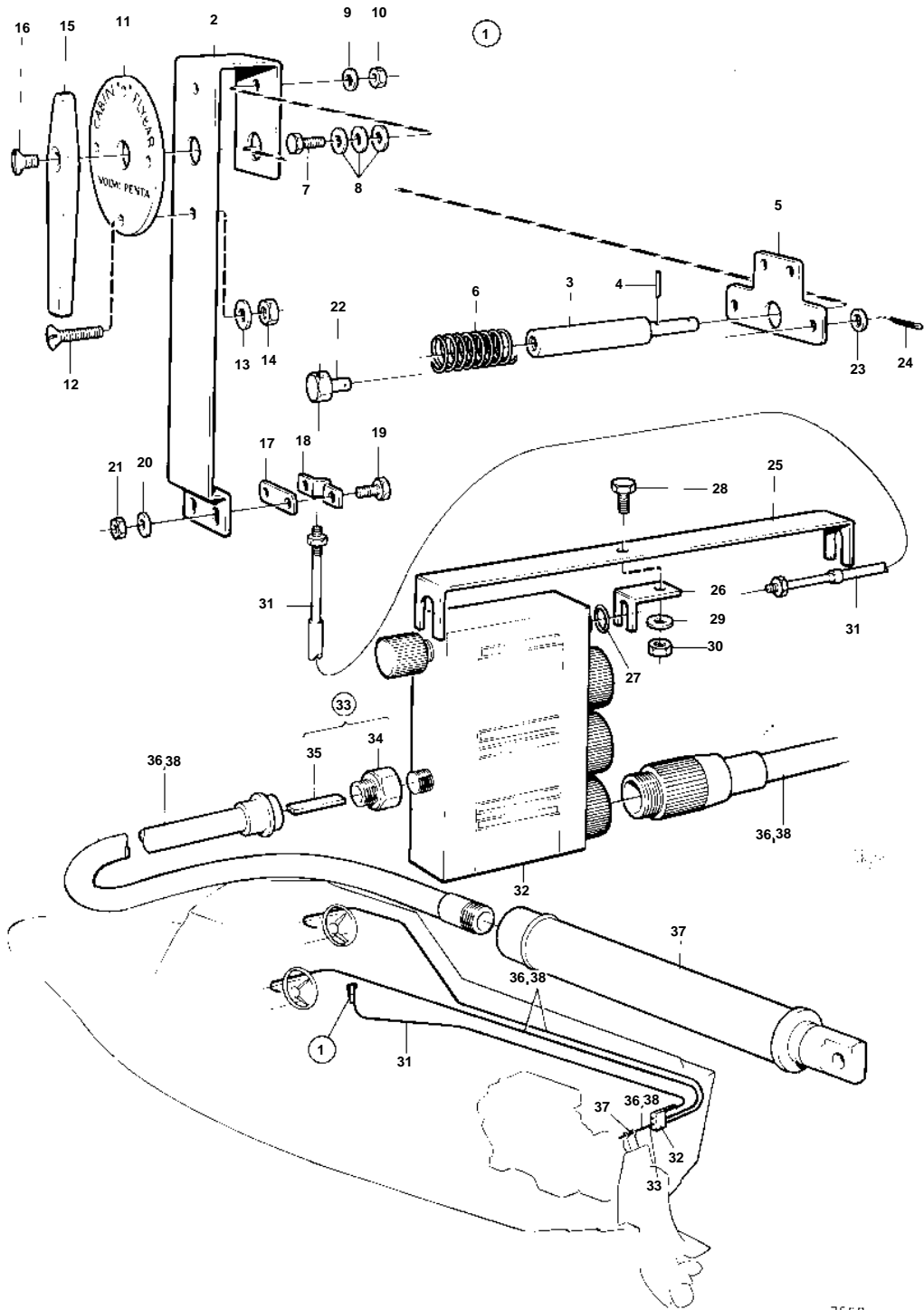


COMMON



7669

COMMON

| REF | PART NO. | QTY | DESCRIPTION | SEE SEC. | NOTES |
|-----|----------|-----|-------------------|----------|---------------|
| 1 | 851744 | 1 | Control | | |
| 2 | 851902 | 1 | • Bracket | | |
| 3 | 851903 | 1 | • Shaft | | |
| 4 | 951947 | 2 | • Pin | | |
| 5 | 851904 | 1 | • Lever | | |
| 6 | 851901 | 1 | • Spring | | |
| 7 | 851940 | 1 | • Screw | | |
| 8 | 960137 | 3 | • Washer | | |
| 9 | 955945 | 1 | • Washer | | |
| 10 | 955779 | 1 | • Nut | | |
| 11 | 851905 | 1 | • Ring | | |
| 12 | 851941 | 4 | • Screw | | L = 20 MM ALT |
| | 851942 | 4 | • Screw | | L = 30 MM ALT |
| | 851943 | 4 | • Screw | | L = 40 MM ALT |
| 13 | 955946 | 4 | • Lock washer | | |
| 14 | 955780 | 4 | • Nut | | |
| 15 | 851906 | 1 | • Handle | | |
| 16 | 851997 | 1 | • Screw | | |
| 17 | 819068 | 1 | • Washer | | |
| 18 | 819067 | 1 | • Brace | | |
| 19 | 955243 | 2 | • Screw | | |
| 20 | 955946 | 2 | • Lock washer | | |
| 21 | 955780 | 2 | • Nut | | |
| 22 | 804312 | 1 | • Cube | | |
| 23 | 940191 | 1 | • Washer | | |
| 24 | 907834 | 1 | • Cotter pin | | (17276) |
| 25 | 851907 | 1 | • Bracket | | |
| 26 | 851908 | 1 | • Bracket | | |
| 27 | 850418 | 1 | • O-ring | | |
| 28 | 955243 | 1 | • Screw | | |
| 29 | 955946 | 1 | • Lock washer | | |
| 30 | 955780 | 1 | • Nut | | |
| 31 | | X | CONTROL CABLE | | SEE GROUP 9 |
| 32 | 851743 | 1 | Transfer gear | | |
| 33 | 853107 | 1 | Connector kit | IK | |
| 34 | | X | • ADAPTER | | |
| 35 | 853109 | 1 | • Shaft | | |
| 36 | | X | STEERING CABLE | | 060-0225 |
| | | | | | 060-0250 |
| 37 | | X | STEERING CYLINDER | | 060-0225 |
| | | | | | 060-0250 |
| 38 | | X | STEERING CABLE | | 060-0225 |
| | | | | | 060-0250 |