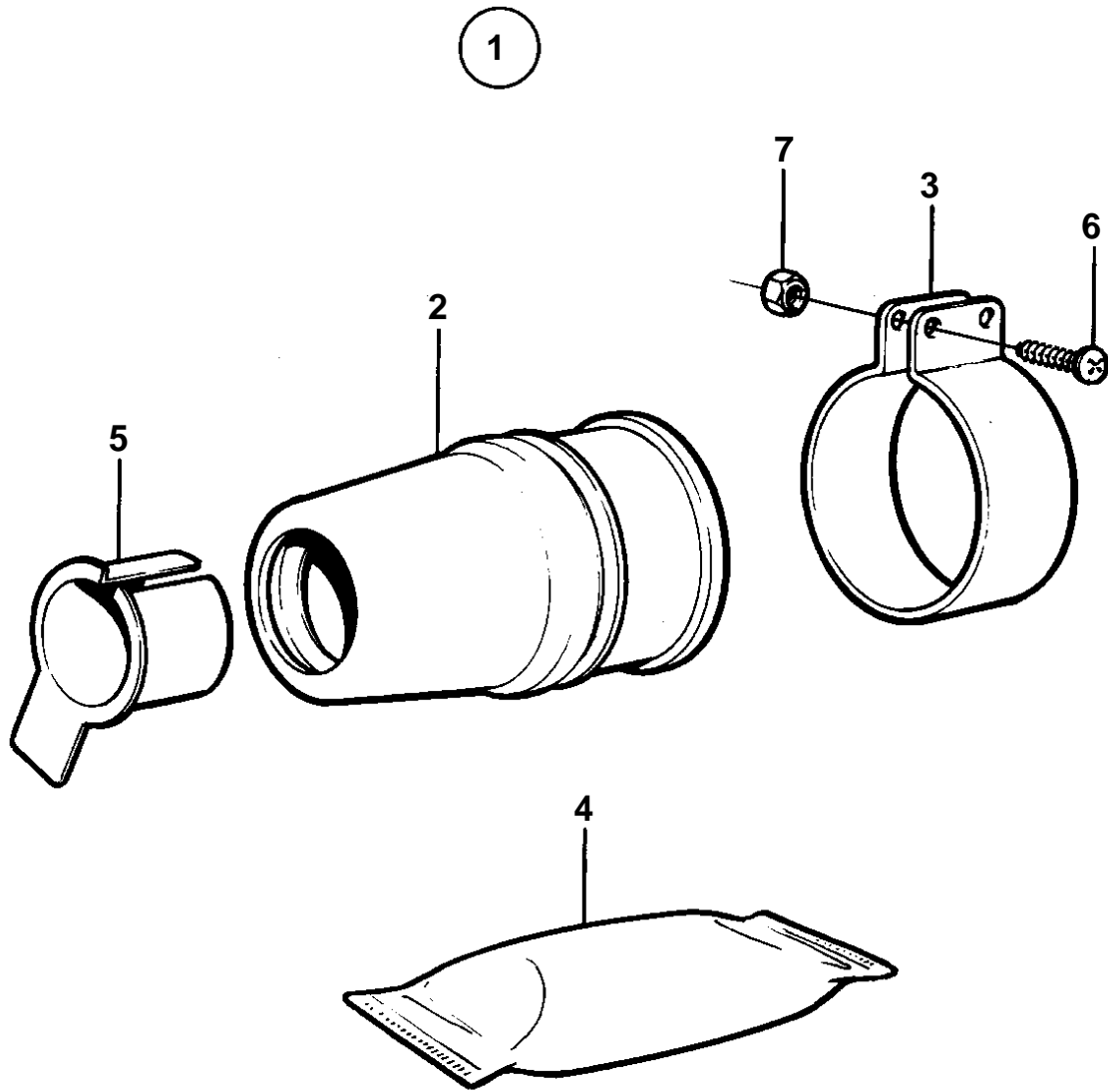


COMMON



6147

COMMON

| REF | PART NO. | QTY | DESCRIPTION | SEE SEC. | NOTES |
|-----|----------|-----|---------------------------|-------------|----------------------------------|
| 1 | 828526 | 1 | Seal Bulletin P-44-6-1 | P-44-6-1-EN | D = 35 MM Rubber Stuffing Box |
| 2 | | 1 | · STUFFING BOX | | |
| 3 | 828528 | 1 | · Clamp | | |
| 4 | 828250 | 1 | · Grease | | |
| 5 | | 1 | · UNIVERSAL SLEEVE | | |
| 6 | 949418 | 2 | | | |
| 7 | 966170 | 2 | · Nut | | |