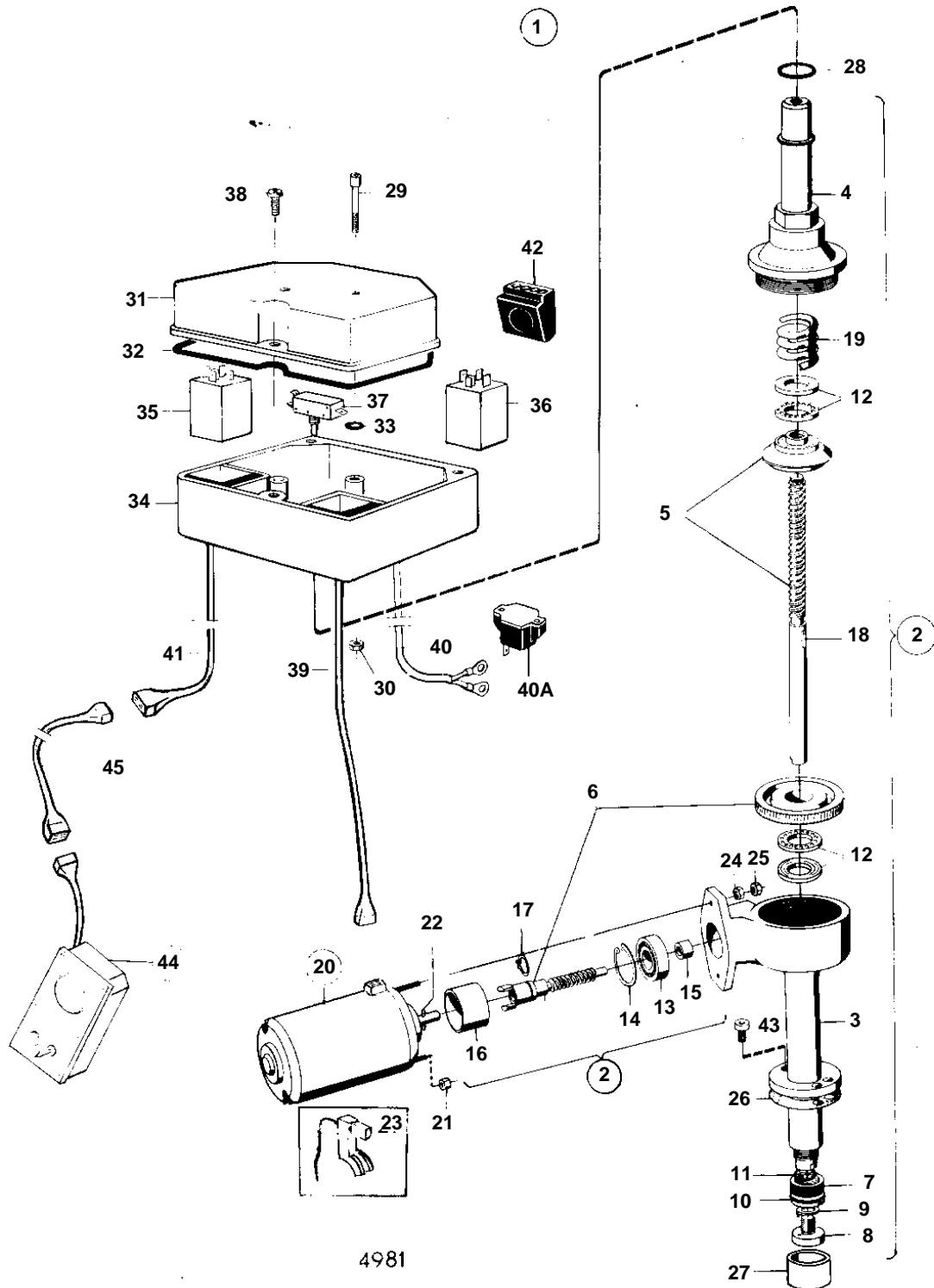


AQ120B



## AQ120B

REF	PART NO.	QTY	DESCRIPTION	SEE SEC.	NOTES
1	850381	1	Electromechan lift		12V EARLY TYPE. REPLACED BY 850726.
2	839433	1	· Lifting device		
3	897658	1	· · Bearing housing		
4	839403	1	· · Upper section		
5	875351	1	· · Vise rod		
6	875352	1	· · Worm gear kit		
7	897664	1	· · Nut		
8	814219	1	· · Pressure plate		
9	814218	1	· · Washer		
10	925060	1	· · O-ring	IK	
11	955977	1	· · Rubber ring	IK	
12	19280	2	· · Ball bearing		
13	181424	1	· · Ball bearing		
14	914515	1	· · Lock ring		
15	897667	1	· · Bushing		
16	897762	1	· · Guide ring		
17	914446	1	· · Lock ring		
18	909838	1	· · Key		
19	897666	1	· · Spring		
20	839430	1	· Electric motor		12V EARLY TYPE. REPLACED BY 850046, 850041.
	850046	1	· Electric motor		12V LATER PROD
21	814456	4	· · Nut		
22	944596	1	· · Pin		
23	839275	1	· · Carbon brush set		
	839586	1	· · Repair kit		
24	150205	2	· Nut		
25	814456	2	· Nut		
26	814304	1	· Gasket		
27	832153	1	· Support ring		
28	955995	1	· O-ring		
29	959327	2	· Screw		
30	951672	2	· Nut		
31	839330	1	· Cover		
32	946438	1	· O-ring		
33	955980	2	· O-ring		
34	839331	1	· Relay housing		
35	1501832	1	· Relay		12V (839367)
36	1504952	1	· Relay		12V (831725)
37	897848	1	· Switch		
38	942704	3	· Screw		
39	839368	1	· Cable trunk		EARLY TYPE
	850039	1	· Cable trunk		LATE TYPE
40	850665	1	· Cable trunk		
40A	897815	1	· · Engine heating prot		
41	839370	1	· Cable trunk		
43	956568	2	Screw		SEE GROUP 4A

## AQ120B

REF	PART NO.	QTY	DESCRIPTION	SEE SEC.	NOTES
44	839445	1	Instrument panel, INSTRUMENT PANEL		12V EARLIER PROD
				090-2050	
44	850375	1	Instrument panel, INSTRUMENT PANEL		12V LATER PROD
				090-2100	
45	839177	X	Extension cable		L = 1250 MM. REPLACED BY 839178.
	839178	X	Extension cable verl		L = 2500 MM
	839179	X	Cable		L = 5000 MM. REPLACED BY 839180.
	839180	X	Cable		L = 7000 MM