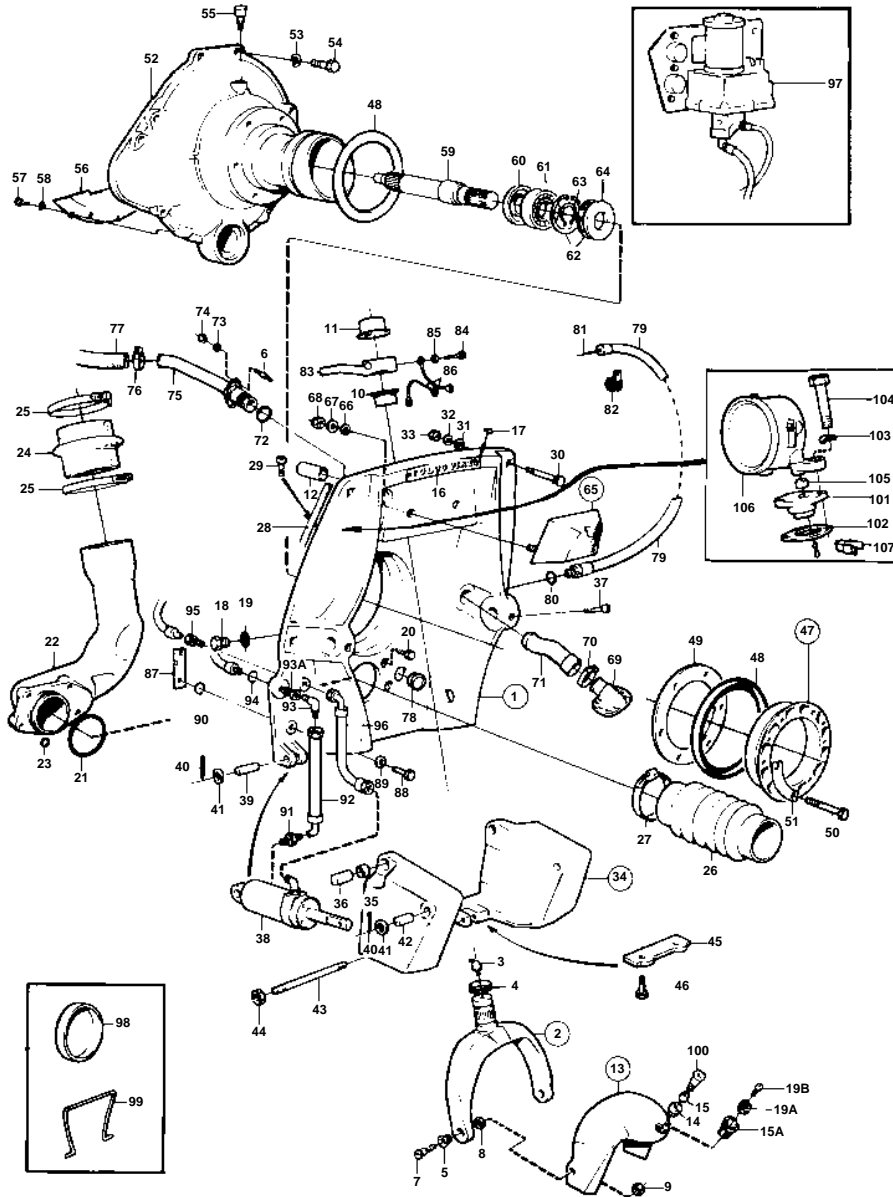


AQ140A



7565

AQ140A

REF	PART NO.	QTY	DESCRIPTION	SEE SEC.	NOTES
1	875664	1			REPLACED BY 1EA 875673 1EA 851265 1EA 851263 2EA 941807.
	875673	1	Shield		MOXXXX/187080-
2	839441	1	• Steering yoke		
3	914169	1	• • Lubricating nipple		
4	839195	1	• • Ring	IK	
			• • Bulletin 48-23	48-23-EN	Seal Ring
5	814640	2	• • Bushing		
6	941872	2	• Stud		
7	897798	2	• Shoulder screw		
8	897244	2	• Washer		
9	943152	2	• Nut		
10	832651	1	• Bushing		
11	832652	1	• Bushing		
12	850653	1	• Bushing		SEE GROUP 6
13	839592	1	• Protective helmet		MO-XXXX/187079
	851267	1	• Protective helmet		MOXXXX/187080-
14	839698	1	• • Bushing		FOR M18 BOLTS.
15	839697	1	• • Bushing		MO-XXXX/187079
15A	851262	1	• • Bushing		FOR BEARING PIN WITH 2 BOLTS.
16	832608	1	• Sign		
17	804269	2	• Drive screw		
18	897744	1	• Plug		
19	897745	1	• Gasket		
19A	852705	1	Pivot pin, BEARING PIN		(851263)
					MOXXXX/187080-
19B	941807	2	Screw		MOXXXX/187080-
20	959967	4	Screw		
21	925256	1	O-ring	IK	
22	852972	1	Grommet		(834440)
23	925055	4	O-ring	IK	
24	834871	1	Exhaust hose		SEE GROUP 2B
25	943483	2	Hose clamp		SEE GROUP 2B
26	875829	1	Bellows kit		(850443)
		1	• BELLOW		
27	961675	1	• Hose clamp		
28	897726	1	Sealing strip		
29	956568	2	Screw		SEE GROUP 9
30	943426	6	Screw		
31	850418	6	O-ring		
32	190878	6	Washer		
33	940176	6	Nut		
34	850917	1	Brace		
35	832820	2	• Bushing		
36	850804	2	Pivot pin		
37	850904	2	Lock screw		
38	850921	1	Hydraulic cylinder		S.B
	850939	1	Hydraulic cylinder		P
39	850805	2	Pin		
40	851073	8	Cotter pin		
41	943194	8	Washer		
42	850806	2	Pin		
43	850807	1	Adjuster pin		
44	814357	2	Flange nut		
45	832598	1	Zinc electrode		
46	959438	2	Screw		
47	826941	1	Clamping ring		
48	813967	2	• Rubber ring		
49	813964	1	• Spacer ring		
50	191844	6	• Screw		
51	806624	3	• Striker plate		
52	834953	1	Flywheel		EARLY TYPE. REPLACED BY FLYWHEEL COVER 841963 + GREASE NIPPLE 914167

AQ140A

REF	PART NO.	QTY	DESCRIPTION	SEE SEC.	NOTES
52	841963	1	Flywheel housing		
53	940280	4	Spring washer		
54	955342	4	Screw		
55	180019	1	Lubricator		EARLY TYPE
	914167	1	Lubricating nipple		
56	834568	1	Cover plate		
57	955524	3	Screw		
58	941907	3	Spring washer		
59	832941	1	Shaft		
60	946242	1	Sealing ring		
61	11013	1	Ball bearing		
62	914533	2	Snap ring		
63	914462	1	Lock ring		
64	958860	1	Sealing ring	IK	
65	875531	1	Rubber cushion		
66	832565	2	· Gasket		
67	940097	2	· Washer		
68	950364	2	· Nut		
69	832846	1	Hose connection		SEE GROUP 4C
70	961668	2	Hose clamp		
71	875822	1	Hose kit		(897599)
		1	· HOSE		
	961668	2	· Hose clamp		
72	925063	1	O-ring		
73	955893	2	Washer		
74	950352	2	Lock nut		
75	850729	1	Grommet		
76	961699	2	Hose connection		
77	941799	X	Hose		L = 300 MM
78	814473	1	Rubber plug		
79	839091	1	Hose		
80	897745	1	Gasket		
81		X	CONTROL CABLE		SEE GROUP 9
82	952635	1	Clamp		
83	850488	1	Spindle arm		SEE GROUP 6
84	955537	1	Screw		
85	940097	1	Washer		
86		X	CABLES AND CABLE TERMINALS		SEE GROUP 3
87	850902	2	Spacer		
88	851071	2	Screw		
89	851072	2	Washer		
90	850418	2	O-ring		
91	850903	2	Fitting		
92	850907	2	Hose		
93	850916	2	Nipple		
93A	851221	2	Fitting		
94	941820	2	O-ring	04A-1000	
95	851042	2	Nipple	04A-1000	
96	850906	2	Hose		
97		1	HYDRAULIC PUMP WITH INSTALL.COMPS EARLY TYPE	04A-1000	
		1	HYDRAULIC PUMP WITH INSTALL.COMPS EARLY TYPE	04A-1025	
98	944738	1	Plastic plug		FOR TRANSPORT.
99	897824	1	Conveyer stop		FOR TRANSPORT.
100	839696	1	Shoulder screw, SCREW		SEE GROUP 4C MO-XXXX/187079
101	851306	1	Flange		&MO-893180
	851307	1	Flange		MO893181-
102	851308	1	Gasket		

