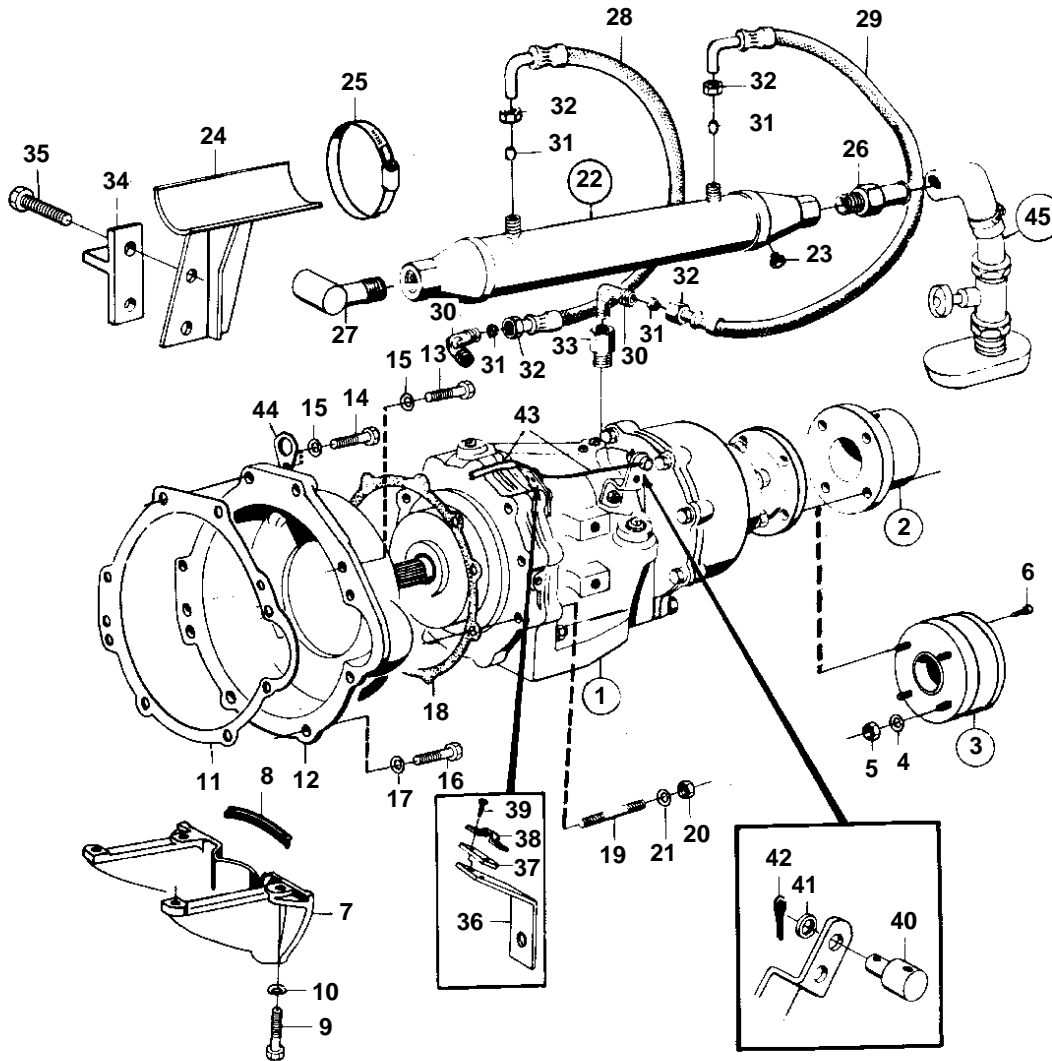


BB165A, BB170A, BB170B, BB170C



4839

BB165A, BB170A, BB170B, BB170C

REF	PART NO.	QTY	DESCRIPTION	NOTES
1		1		4" PROPELLER SHAFT FLANGE.
		1	5:1	4" PROPELLER SHAFT FLANGE., BW AS2-71CR
		1	91:1	REPLACED BY REVERSE GEAR 834707, FLANGE 819105., 4" PROPELLER SHAFT FLANGE., BW AS7-71CR
		1	91:1	5" PROPELLER SHAFT FLANGE., BW AS7-71CR
		1	1:1	REPLACED BY REVERSE GEAR 834708, FLANGE 819105., 4" PROPELLER SHAFT FLANGE., BW AS3-71CR
		1	1:1	5" PROPELLER SHAFT FLANGE., BW AS3-71CR
		1	91:1	REPLACED BY REVERSE GEAR 834709., 5" PROPELLER SHAFT FLANGE., BW AS15-71CR
		1	91:1	5" PROPELLER SHAFT FLANGE., BW AS15-71CR
			· COMPONENTS	
2		1	PROPELLER SHAFT FLANGE	SEE GROUP 9
3		1	Elastic coupling	5" PROPELLER SHAFT FLANGE., PREDRILLED.
4	941909	4	· Spring washer	
5	940157	4	· Hexagon nut	
6	959241	6	· Hex. socket screw	
7		1	Bracket	
8		1	Sealing strip	
9	955535	4	Hexagon screw	L = 32 MM
10	942336	4	Spring washer	
11		1	Gasket	
12		1	Flywheel housing	
13	940160	3	Hexagon screw	L = 38 MM
14	955549	1	Hexagon screw	L = 45 MM
15	941909	4	Spring washer	
16	940162	2	Hexagon screw	L = 38 MM
17	942336	2	Spring washer	
18		1	Gasket	
19		6	Stud	
20	940157	5	Hexagon nut	
		1	Nut	
21	941909	6	Spring washer	
22		1	Oil cooler	
23	180759	2	· Plug	
24		1	Bracket	
25	943478	2	Hose clamp	(951794)
26		1	Hose attachment	
27		1	Elbow nipple	SEE GROUP 2B
28		1	Hose	L = 500 MM EARLY TYPE
29		1	Hose assembly	L = 360 MM LATE TYPE
		1	Hose assembly	L = 360 MM
30	941757	4	Elbow nipple	EARLY TYPE
	941757	2	Elbow nipple	LATE TYPE
31	956970	4	Ferrule	
32	956984	4	Fitting nut	
33	804533	1	Nipple	
34		1	Bracket	SEE GROUP 2A
35	940134	2	Hexagon screw	SEE GROUP 2A
36		1	Bracket	
37	819068	1	Washer	
38	21471054	1	Bracket	
39	950021	2	Cross recessed screw	
40	804312	1	Cube	
41	940191	1	Washer	
42	17276	1	Split pin	
43			CONTROL CABLE	SEE GROUP 9
44		1	LIFT EYE	
45		1	COOLING WATER INTAKE	SEE GROUP 9
		1	COUPLING FLANGE	SEE GROUP 9