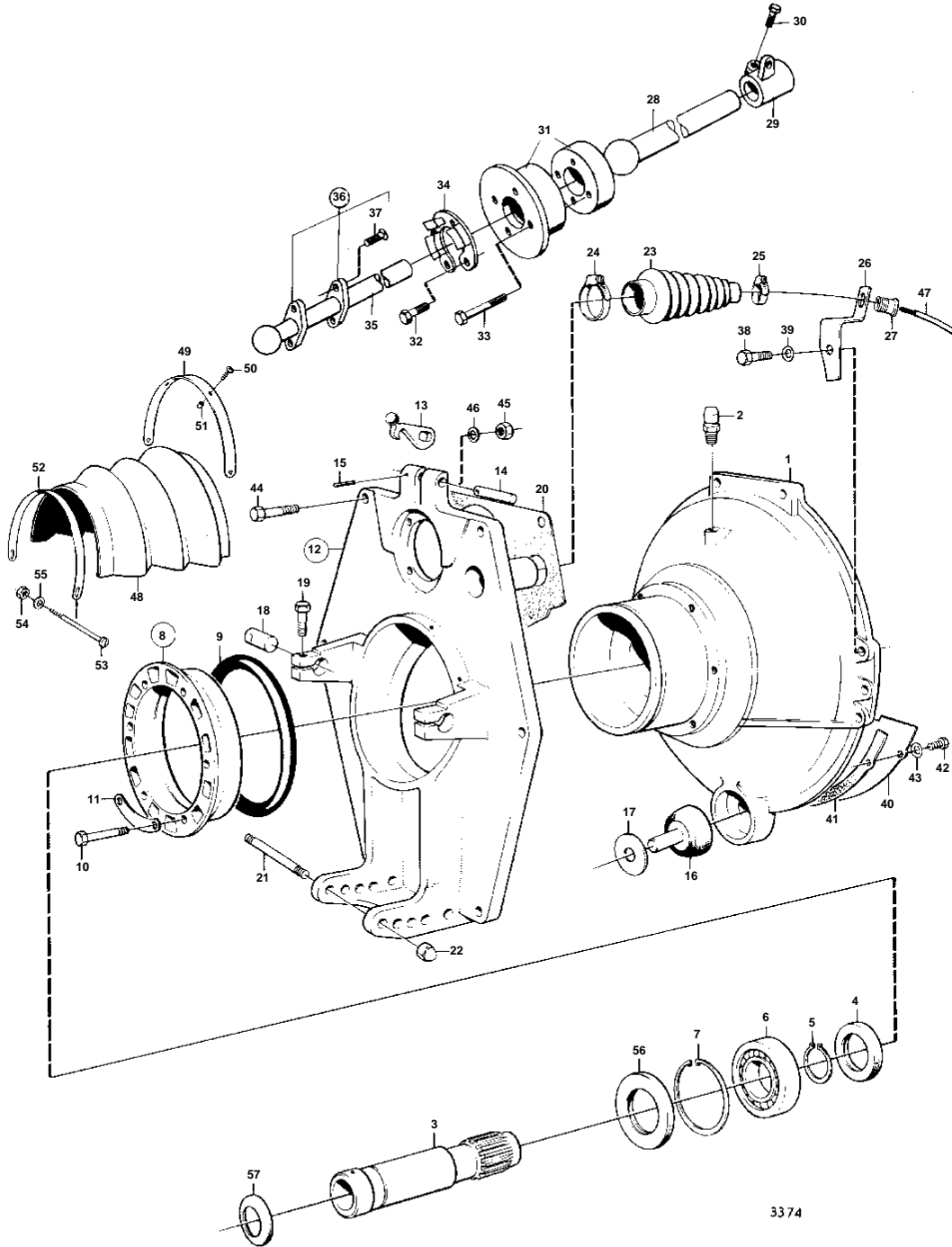


AQ115A, AQ115B



## AQ115A, AQ115B

REF	PART NO.	QTY	DESCRIPTION	NOTES
1		1	Flywheel housing	
2		1	Lubricator	
3		1	Shaft	
4	958859	1	Sealing ring	
5	914465	1	Snap ring	
6	181105	1	Ball bearing	
7	914533	1	Snap ring	
8	806310	1	Mounting kit	
9	804190	2	· Rubber ring	
10	191844	6	· Hexagon screw	
11	806624	3	· Striker plate	
12		1	Shield	
13		1	· Pawl	
14		1	· Shaft	
15		1	· Tensioning din	
16	804210	1	Rubber cushion	
17	64432	1	Washer	
18		2	Pivot pin	
19	940173	2	Hexagon screw	
20	813956	1	Gasket	
21		1	Adjusting pin	
22	804326	2	Cap nut	
23		1	Rubber bellows	
24	961669	1	Hose clamp	
25	961663	1	Hose clamp	
26		1	Anchorage	
27		1	Bushing	
28		1	Guide tube	
29		1	Guide flange	
30	940168	1	Hexagon screw	
31		1	Ball socket	
32		4	Hexagon screw	
33		4	Hexagon screw	
34	813958	1	Rubber cushion	
35		1	Steering rod	L = 265 MM
36		1	Ball socket kit	
37		2	· Cross recessed screw	
38	940160	4	Hexagon screw	7/16" - 14 UNC
	955342	4	Hexagon screw	M12
39	941909	3	Spring washer	I.D = 11,5 MM
	940280	4	Spring washer	I.D = 13,5 MM
40		1	Cover plate	
41		1	Gasket	MO-XXXX/111481
42	955523	3	Hexagon screw	
43	941907	3	Spring washer	
44	804258	6	Screw	
45	940176	6	Hexagon nut	
46	190878	6	Washer	
47		X	CONTROL CABLE	SEE GROUP 9
48		1	Bellows	
49		1	Attaching ring	
50		4	Cross recessed screw	
51		4	Plug	
52		1	Clamp	
53		1	Hexagon screw	
54		1	Lock nut	
55	940275	2	Washer	
56		1	Sealing ring	
57	830483	1	Sealing ring	