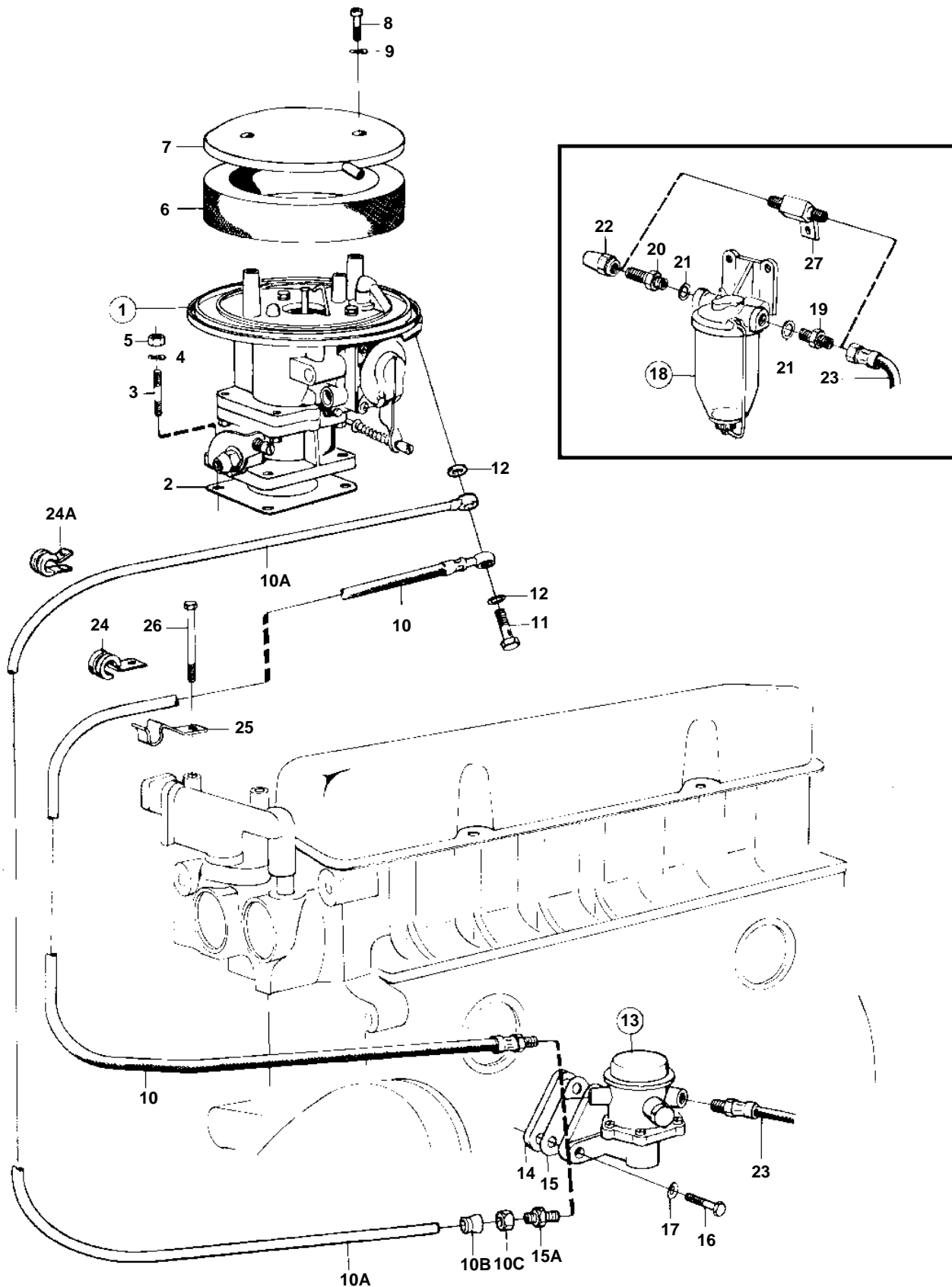


AQ115A, AQ115B



5575

AQ115A, AQ115B

REF	PART NO.	QTY	DESCRIPTION	SEE SEC.	NOTES
1		1	Carburetor	12824	
2	824677	1	Gasket		
3		4	Stud		
4	941907	4	Spring washer		
5	955834	4	Hexagon nut		
6	824663	1	Flame shield		
7		1	Cover		
8	950045	2	Cross recessed screw		
9	941906	2	Spring washer		
10		1	HOSE		REPLACED BY 1EA 471172 HOUSING AND 2EA 466987 FILTER.
10A		1	Fuel pipe		
10B		1	Protective cap		
10C	954321	1	Fitting nut		
11	824711	1	Hollow screw		
12	834452	2	Gasket		
13	831092	1	Fuel pump	12820	
14	460678	1	Spacer		
15	61830	2	Gasket		
15A	831965	1	Nipple		
16		2	Screw		
17	941907	2	Spring washer		
18		1	Fuel filter	12808	EARLY TYPE
19		1	Nipple		EARLY TYPE
20	191397	1	Nipple		EARLY TYPE
21	957176	2	Gasket		EARLY TYPE
22	954322	1	Fitting nut		
23	813007	1	Fuel hose		
24	946834	1	Clamp		REPLACED BY 1EA 469363, 1EA 469364.
24A	940374	1	Clamp		REPLACED BY 1EA 243775 COVER, 1EA 11996 GASKET, 1EA 240391 PIN AND 1EA 870380 SCREW.
25		1	Clamp		MOXXX/103957-
26	955528	1	Hexagon screw		SEE GROUP 2B
27		1	Joint nipple		LATE TYPE
	833971	1	Water separator	12810	
		1	CONNECTING COMPS FUEL FILTER - FUEL TANK		
					SEE GROUP 9