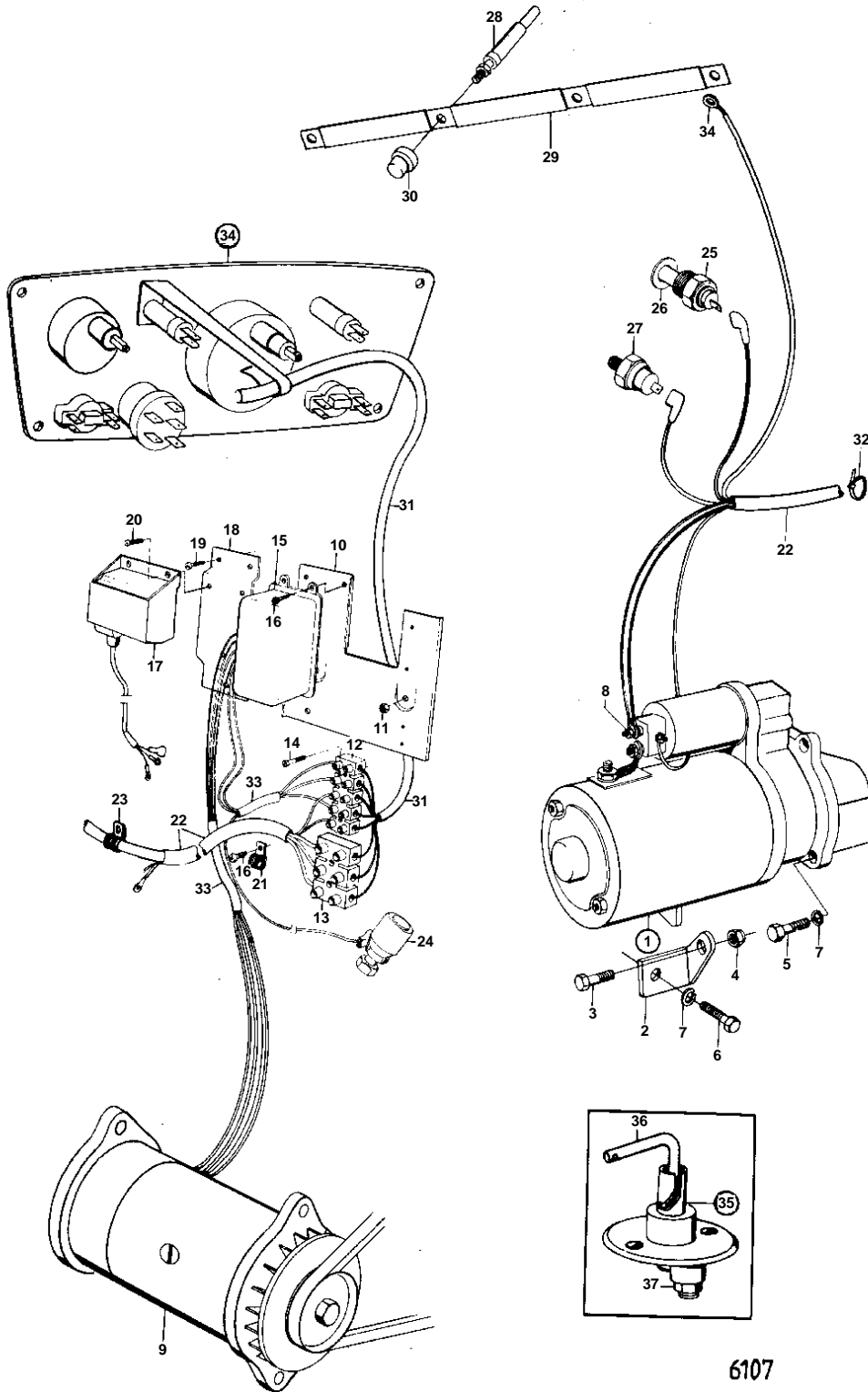


AQD21A, MD21A



## AQD21A, MD21A

REF	PART NO.	QTY	DESCRIPTION	SEE SEC.	NOTES
1	826755	1	Starter motor		12V REPL BY 829712
				12847	
		1			24V REPL BY 829649
				12848	
2		1	Bracket		
3	955339	1	Hexagon screw		
4	963108	1	Lock nut		
5	955317	3	Hexagon screw		
6	955315	1	Hexagon screw		
7	960148	4	Washer		
8	955782	1	Hexagon nut		
	955780	1	Hexagon nut		
9		1	GENERATOR AND INSTALLATION COMPONENTS		12V
				12840	
		1	ALTERNATOR AND INSTALLATION COMPONENTS		12V
				12868	
		1	ALTERNATOR AND INSTALLATION COMPONENTS		24V
				12868	
10		1	Bracket		
11	955782	2	Hexagon nut		SEE GROUP 2B
12	190128	1	Coupling piece		6SQMM
13		1	Coupling piece		16SQMM
14		4	Screw		
15		1	Relay		REPLACED BY 1EA 841765 ALTERNATOR, 1EA 841812 PULLEY, 1EA 845021 TENSION IRON, 1EA 949607 WASHER, 1EA 955780 NUT, 1EA 955781 NUT AND 1EA 941905 RESILIENT WASHER., 12V
16	950046	2	Cross recessed screw		L = 16 MM
	950047	1	Cross recessed screw		L = 19 MM
17		1	CHARGING RELAY		REPLACED BY 1EA 1578938., 12V REPL BY 843547
		1	Relay		24V
18		1	BRACKET		
19	950045	3	Cross recessed screw		
20		3	Screw		
21	952631	1	Clamp		
22		1	Cable kit		
23	952630	1	Clamp		
	952633	1	Clamp		
24	1507899	1	Tachometer sensor		
25	827151	1	Temperature sensor		
26	957181	1	Gasket		
27	1266085	1	Pressure switch		(672910)
28		4	GLOW PLUG		FOR CHARGING OF 2 BATTERIES,USE CHARGE DISTRIBUTOR 831793, 12V REPL BY 870846
		4	Glow plug		24V
29		1	CONTACT STRIP		MO-12769/XXXXX,REPLACED BY 841378., (818263)
30		4	Switch guard		
31		1	Cable trunk		L = 7000 MM
32	827353	3	Cable tie		
33		X	CABLES AND CABLE TERMINALS	12858	
34		1	Instrument panel		12V
				12854	
		1	Instrument panel		24V
				12854	
			INSTRUMENT PANEL FOR TWIN INSTALLATION		SEE GROUP 9

