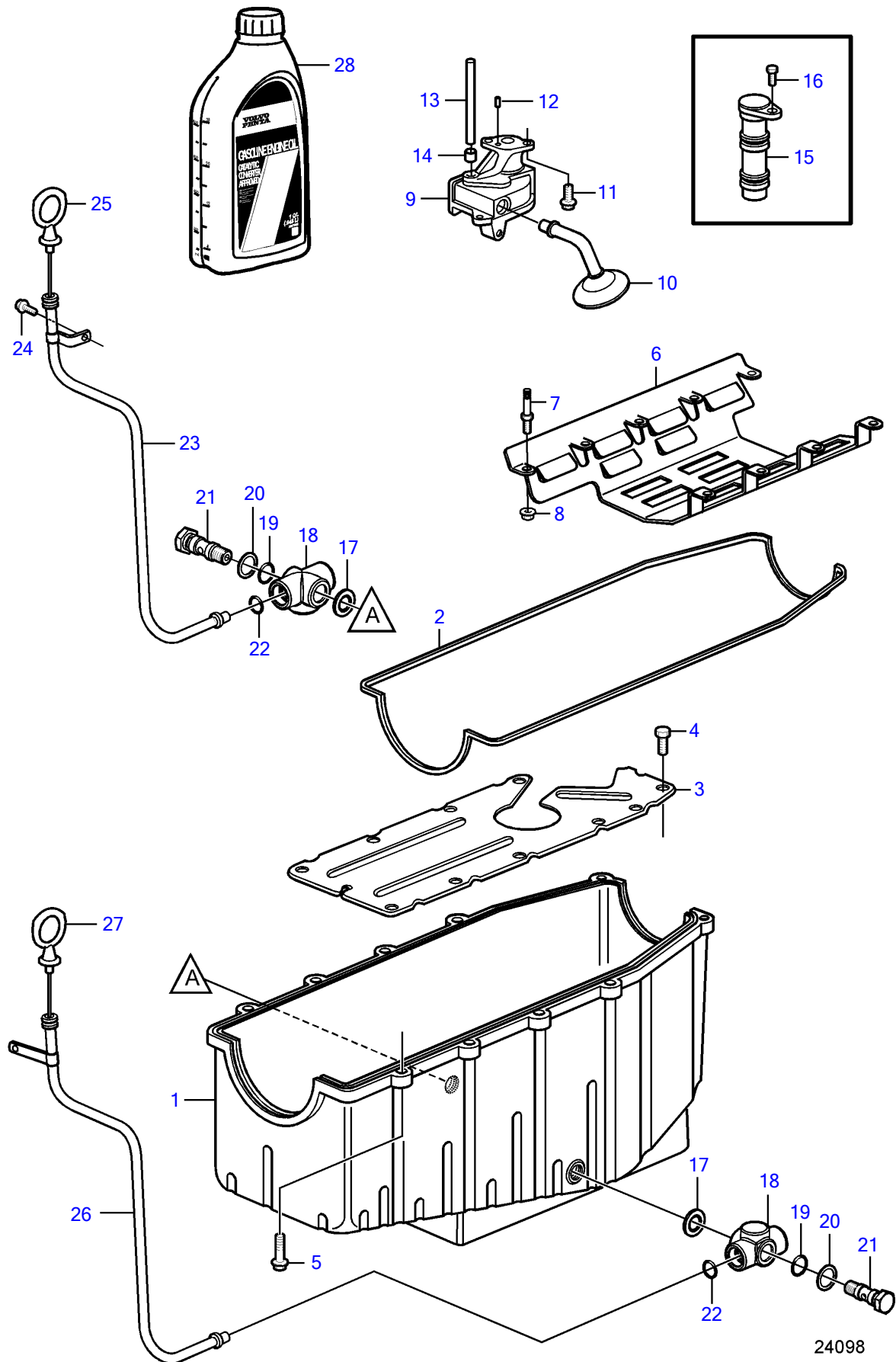


8.1IPSE-JF



## 8.1IPSE-JF

REF	PART NO.	QTY	DESCRIPTION	SEE SEC.	NOTES
1	3808521	1	Oil pan		
2	3861288	1	• Gasket		
3		1	• Baffle		not sold separately
4		10	• Screw		not sold separately
5	3861255	12	Bolt		
6	3808520	1	Oil deflector		
7	3861331	10	Stud		
8	3861302	9	Nut		
9	3861305	1	Oil pump		
10		1	Oil pump screen		part not sold
11	3861259	1	Bolt		
12	3855972	1	Pin		
13	(3855976)	1	Shaft		Obsolete part
14	3853199	1	Retainer		
15	3861276	1	Drive		
16	3861254	1	Bolt		
17	3851981	2	Washer		
18	3587783	2	Fitting		
19	3853674	2	O-ring		
20	3852007	2	Washer		
21	888958	2	Retainer		
22	3852033	2	O-ring		
23	3860963	1	Tube		Starboard
24	967949	1	Flange screw		
25	21107446	1	Dipstick		Starboard
26	21129745	1	Dipstick tube		Port
27	21133055	1	Dipstick		Port
28		X	Oil		USA
	3847306	1	Oil		Synthetic, quart
			• Bulletin P-18-3-6	P-18-3-6-EN	Gas Engine Oils Replaced
28	3847307	1	Oil		Synthetic, gallon
	3847308	1	Oil		Synthetic, 5 gal
	3847309	1	Oil		Synthetic, 55 gal
		X	Oil		Europe and other markets
	3809433	1	Engine oil		1L
			• Bulletin P-18-3-6	P-18-3-6-EN	Gas Engine Oils Replaced
28	3809432	1	Engine oil		5L
	3809431	1	Engine oil		20L
	3809430	1	Engine oil		208L, barrel