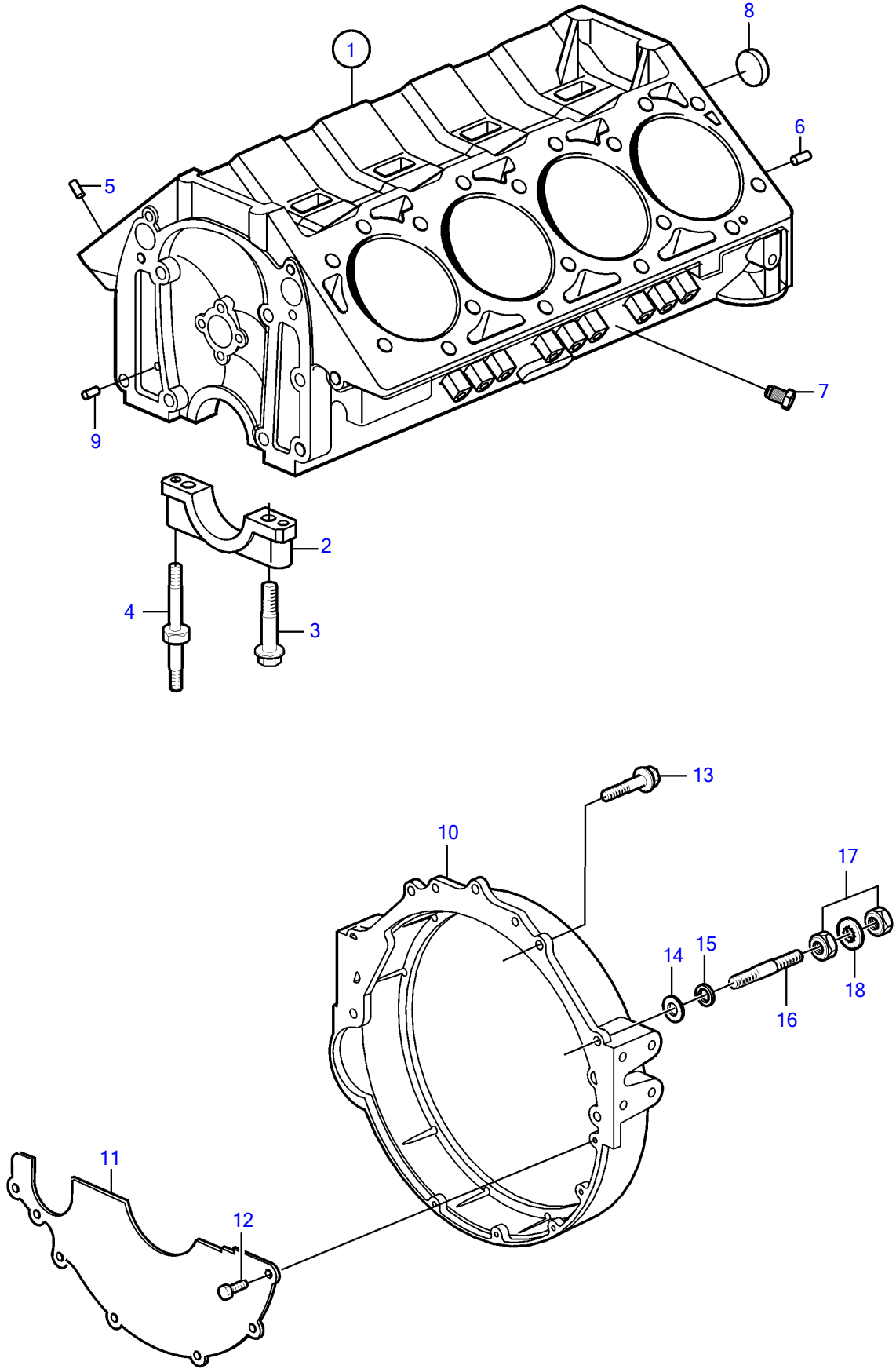


8.1IPSCE-PF, 8.1IPSCE-Q



8.1IPSCE-PF, 8.1IPSCE-Q

REF	PART NO.	QTY	DESCRIPTION	NOTES
1		1	Cylinder block	See "Longblock" section not sold separately
2		5	• Bearing cap	
3	3861256	10	Bolt	
4	3861331	10	Stud	
5	3861306	4	Locating pin	
6	3856001	2	Pin	
7	3861669	2	Plug	
8	3853348	1	Core plug	
9	3855972	2	Pin	
10	3851722	1	Flywheel housing	
11	3854604	1	Cover	
12	3852421	4	Screw	
13	947790	4	Flange screw	
14	980933	2	Washer	
15	3852046	2	Spring washer	
16	21162373	2	Stud	
17	971071	6	Hexagon nut	
18	982679	4	Toothed washer	