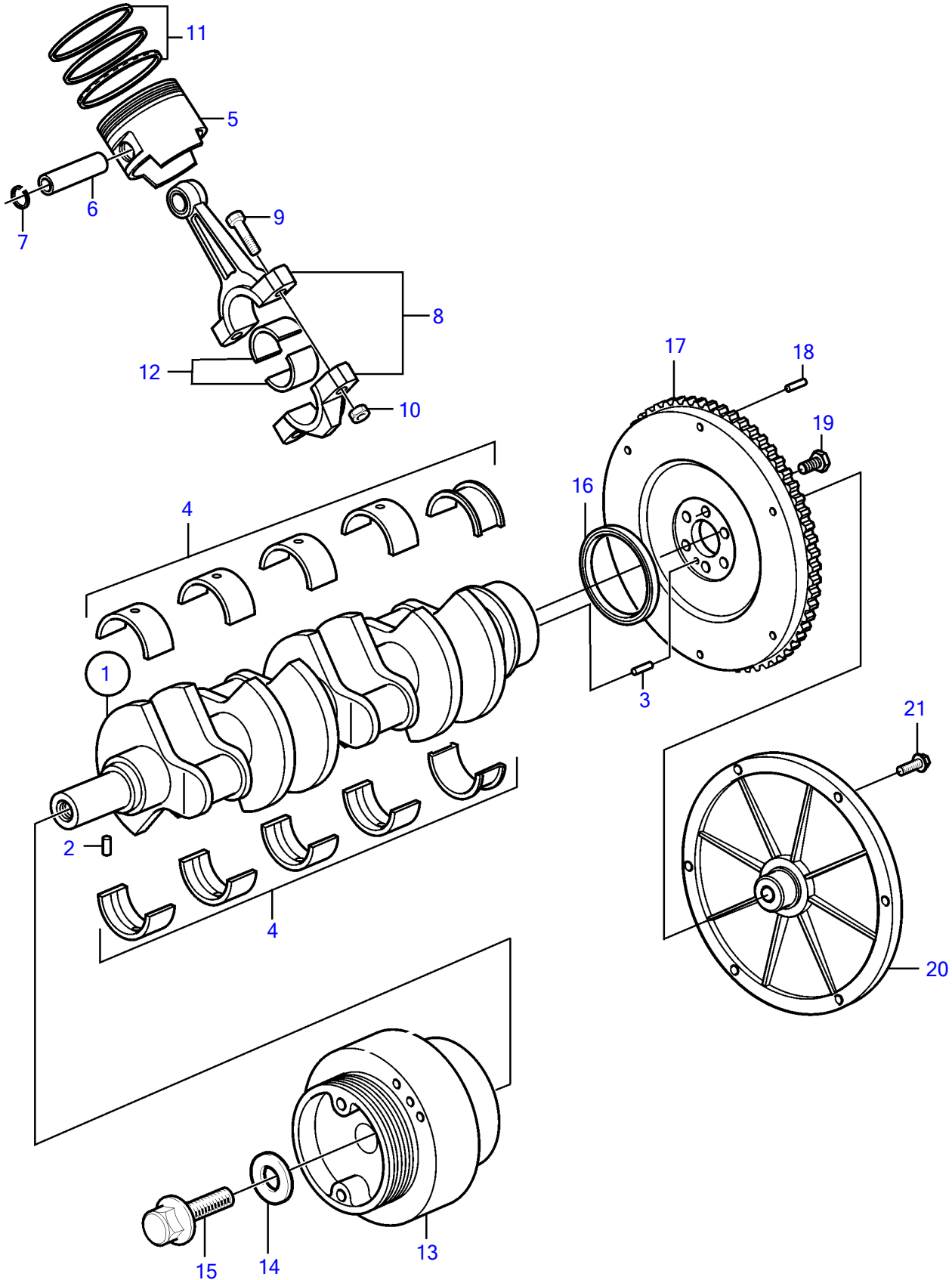


8.1IPSCE-PF, 8.1IPSCE-Q



24096

## 8.1IPSCE-PF, 8.1IPSCE-Q

REF	PART NO.	QTY	DESCRIPTION	SEE SEC.	NOTES
1	3808530	1	Crankshaft		
2	3861307	1	• Locating pin		
3	3861303	1	• Pin		
4	3861236	1	Main bearing kit		
5	3808523	4	Piston kit		Standard, Starboard
			• Bulletin P-21-6-5	P-21-6-5-EN	Pistons and Connecting Rods, 8.1L
5	3808525	4	Piston kit		Standard, Port
	(3808526)	X	Piston kit		Obsolete part, O.S=0.030", Starboard
	(3808527)	X	Piston kit		Obsolete part, O.S=0.030", Port
6		8	• Piston pin, floating		not sold separately
7	(3818500)	8	• Retainer		Obsolete part
8	3817694	8	• Connecting rod		part not sold
9		16	• Screw		not sold separately
10	3859077	16	• Nut		
11	3861311	8	• Piston ring kit		Standard
	(3861312)	X	Piston ring		Obsolete part, O.S=0.030"
12	3861233	8	Bearing kit		
13	3861274	1	Absorber		
14	3861340	1	Washer		
15	3861264	1	Bolt		
16	3861318	1	Sealing		
17	3861277	1	Flywheel		
18	3861303	2	• Pin		
19	3861263	6	Bolt		
20	3595235	1	Flexible coupling		
21	965186	6	Flange screw		