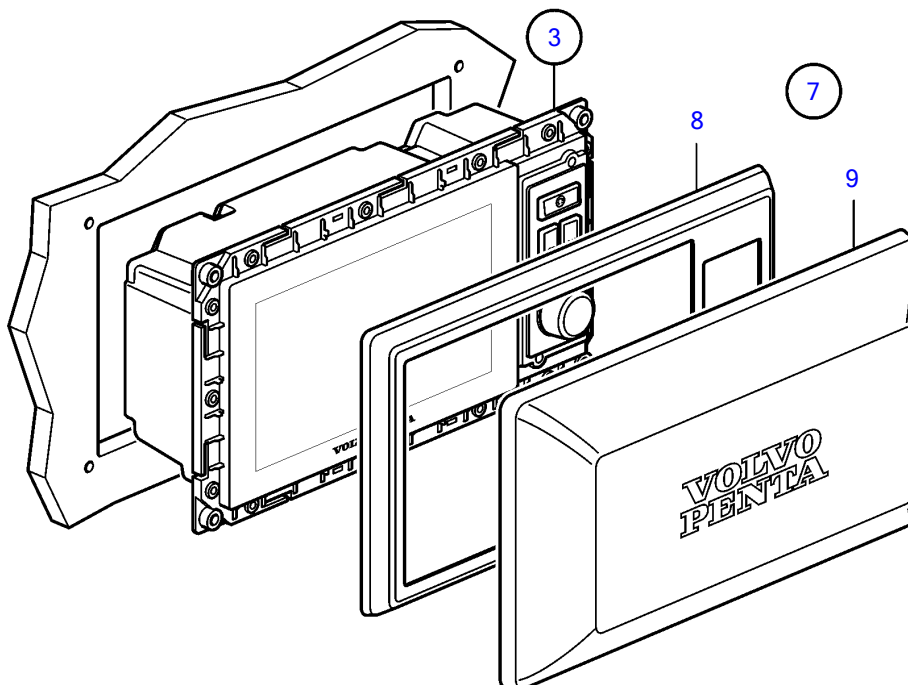
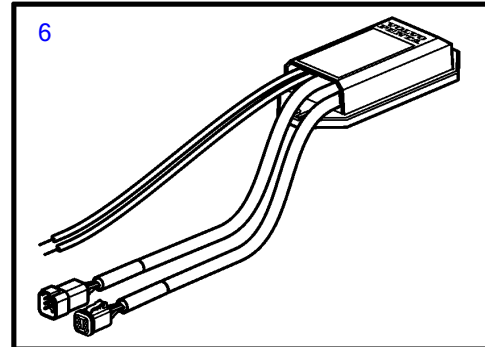
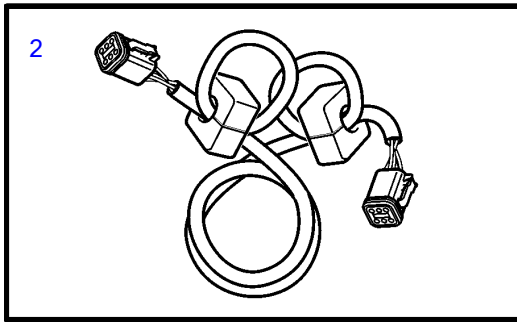
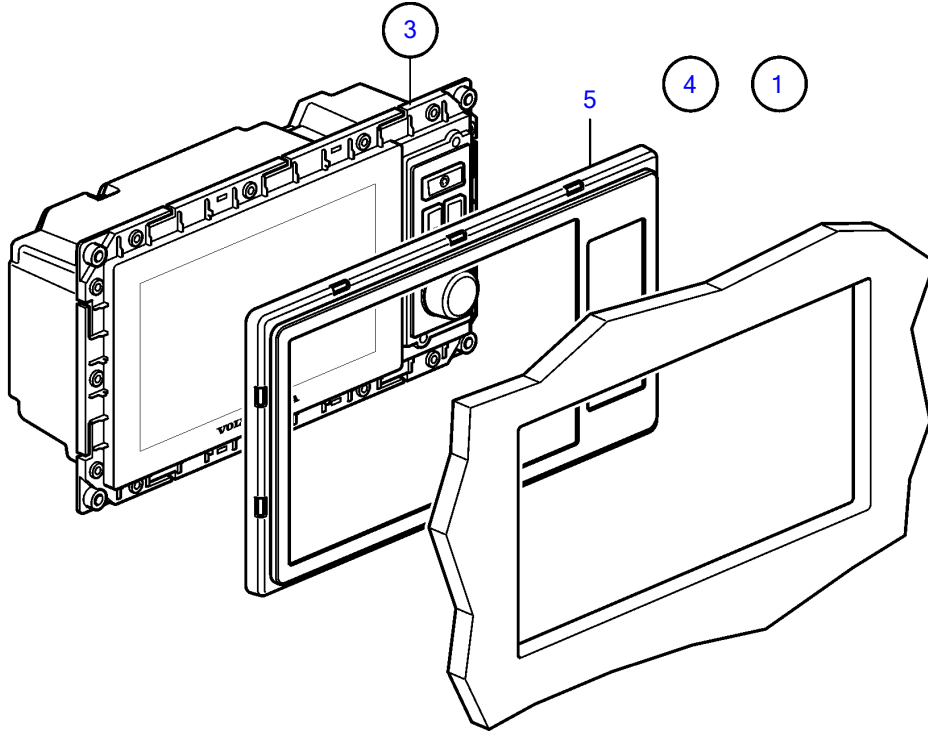


8.1IPSCE-PF, 8.1IPSCE-Q



25293

## 8.1IPSCE-PF, 8.1IPSCE-Q

| REF | PART NO.   | QTY | DESCRIPTION     | NOTES   |
|-----|------------|-----|-----------------|---|
| 1   | 21501717   | 1   | Display         | For flush mounting., replaced by next part number |
|     | 21685202   | 1   | Display         | For flush mounting.                               |
| 2   | 21514712   | 1   | • Cable         |   |
| 3   |            | 1   | • Kit           |   |
|     |            | 1   | • • Display     |   |
| 4   | 21330288   | 1   | Frame           | For flush mounting.                               |
| 5   |            | 1   | Frame           |   |
| 6   | 21379779   | 1   | Network adapter | 12V   |
| 7   | 21330289   | 1   | Frame           | For top mounting                                  |
| 8   | (21143284) | 1   | • Frame         | Obsolete part                                     |
| 9   | 21144292   | 1   | • Cover         |   |