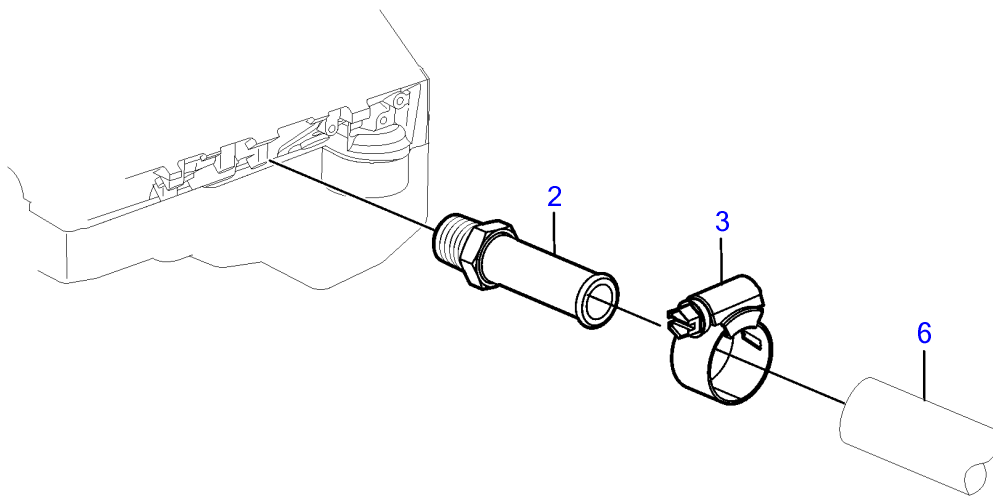
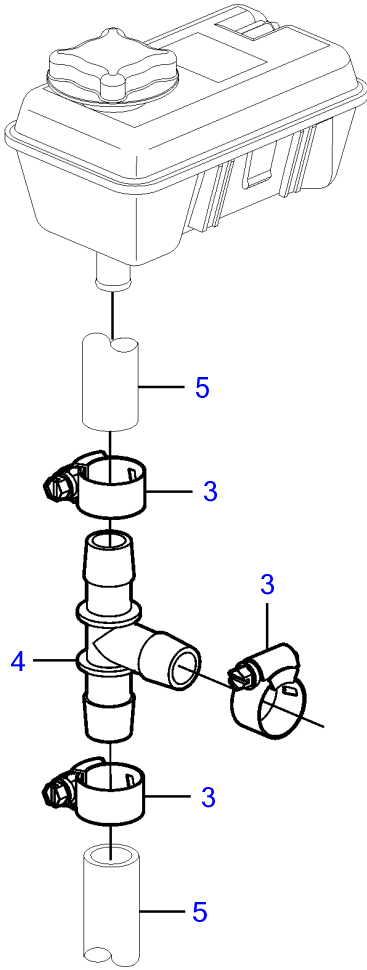


8.1IPSCE-PF, 8.1IPSCE-Q



## 8.1IPSCE-PF, 8.1IPSCE-Q

REF	PART NO.	QTY	DESCRIPTION	NOTES
1	3818029	1	Kit	
2	3861672	1	• Nipple	
3	3863439	4	• Hose clamp	
4	3860613	1	• T-nipple	
5		X	Hose, expansion tank	Cut
6		X	Hose, heater	Hose not supplied with kit.