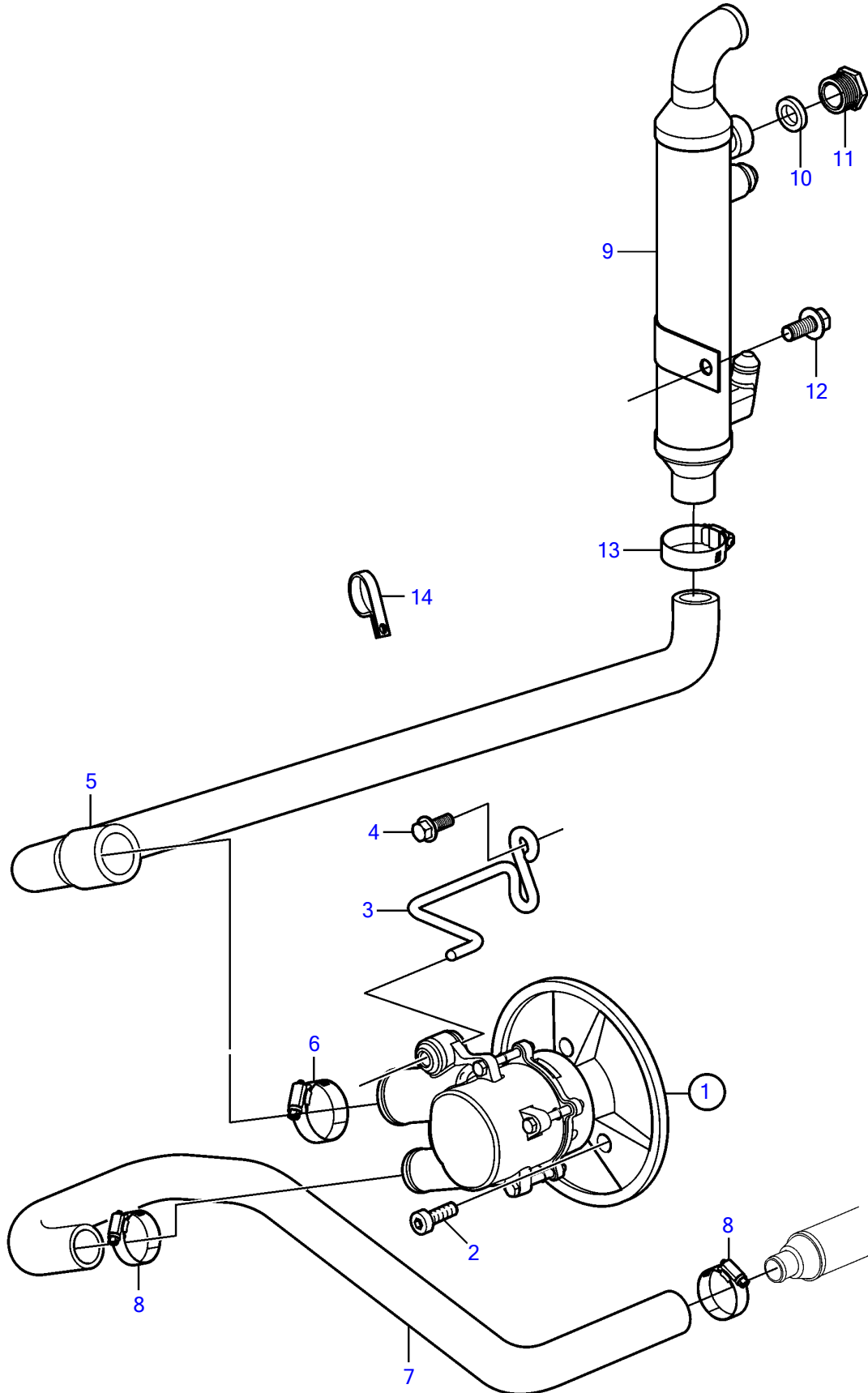


8.1GiI-H, 8.1GXII-G



8.1GII-H, 8.1GXII-G

| REF | PART NO. | QTY | DESCRIPTION | NOTES |
|-----|----------|-----|-------------------|---|
| 1 | 3812518 | 1 | Pump | replaced by next part number |
| | 21212800 | 1 | Pump | |
| | 3842786 | 1 | • Impeller kit | Replaced by 21213664, See "Seawater Pump Parts" |
| 2 | 959240 | 3 | Hex. socket screw | |
| 3 | 3817686 | 1 | Bracket | |
| 4 | 946441 | 2 | Flange screw | |
| 5 | 3818476 | 1 | Hose | |
| 6 | 3863440 | 1 | Hose clamp | |
| 7 | 3817819 | 1 | Hose | |
| 8 | 3863441 | 2 | Hose clamp | |
| 9 | 3808226 | 1 | Oil cooler | |
| | 3817834 | 1 | Heat exchanger | 5000V |
| 10 | 3862079 | 1 | • Gasket | |
| 11 | 3862656 | 1 | • Cardboard tube | |
| 12 | 3853389 | 1 | Flange screw | |
| 13 | 3863440 | 1 | Hose clamp | |
| 14 | 3853312 | 1 | Clamp, loop | |