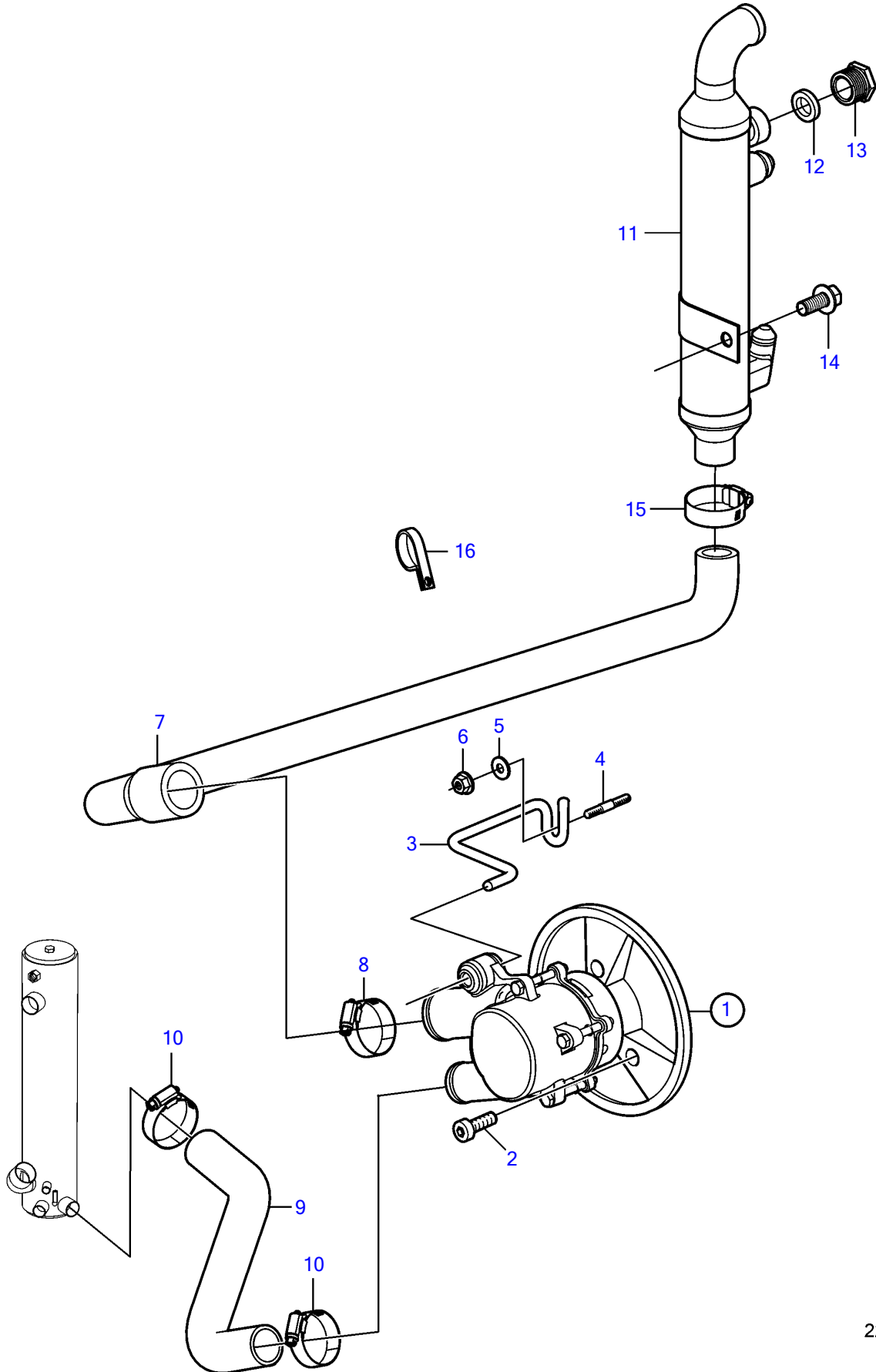


8.1GiI-H, 8.1GXII-G



22567

8.1GII-H, 8.1GXII-G

REF	PART NO.	QTY	DESCRIPTION	NOTES
1	3812518	1	Pump	replaced by next part number
	21212800	1	Pump	
	3842786	1	• Impeller kit	Replaced by 21213664, See "Seawater Pump Parts"
2	959240	3	Hex. socket screw	
3	3817812	1	Bracket	
4	983613	1	Stud	
5	980933	1	Washer	
6	971095	1	Flange nut	
7	3817824	1	Hose	
8	3863440	1	Hose clamp	
9	3817820	1	Hose	
10	3863440	2	Hose clamp	
11	3808226	1	Oil cooler	
	3817834	1	Heat exchanger	5000V
12	3862079	1	• Gasket	
13	3862656	1	• Cardboard tube	
14	3853389	1	Flange screw	
15	3863440	1	Hose clamp	
16	3853312	1	Clamp, loop	