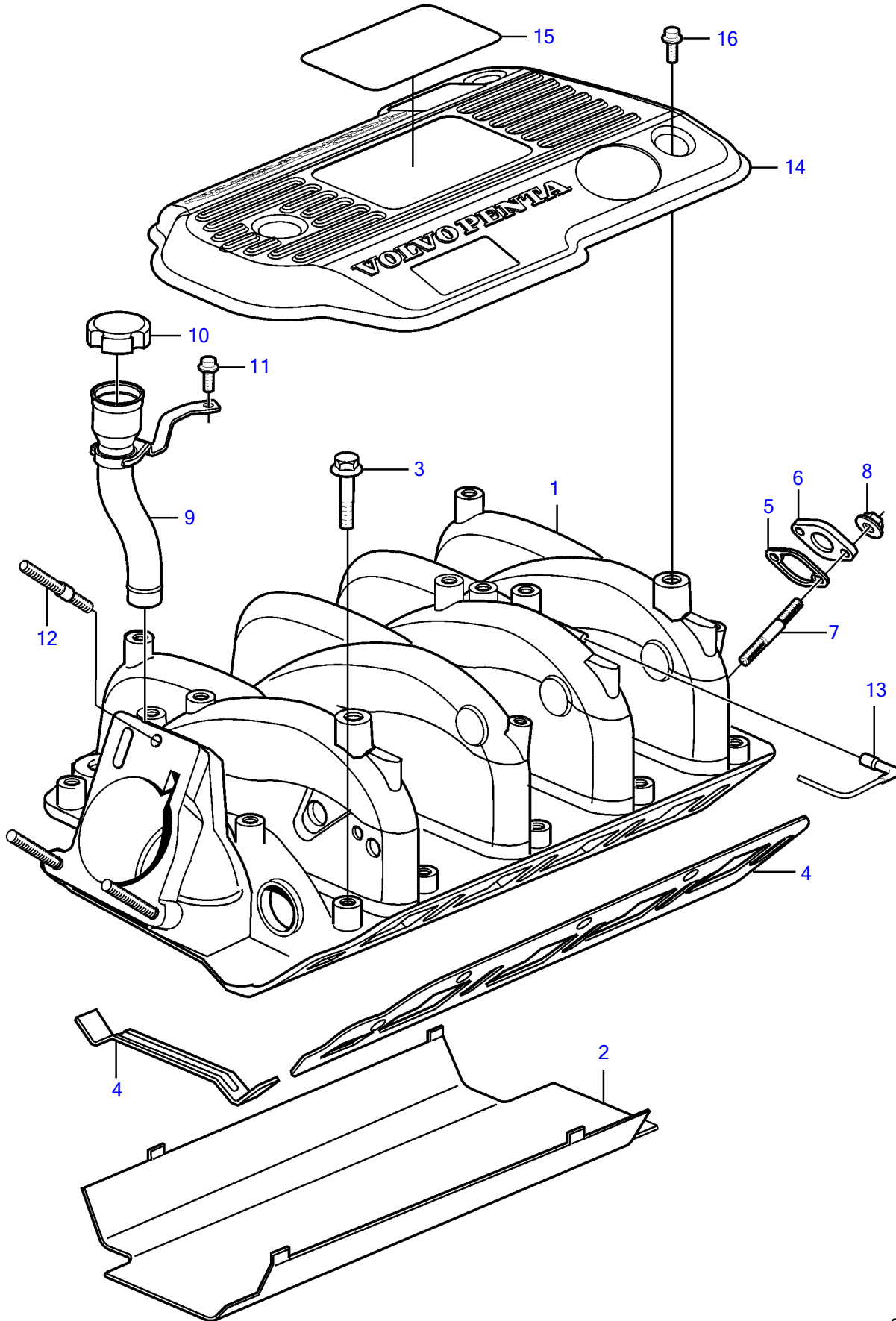


8.10Si-J, 8.10Si-JF



8.10Si-J, 8.10Si-JF

REF	PART NO.	QTY	DESCRIPTION	NOTES
1	3808519	1	Inlet pipe	
2		1	Shield	part not sold
3	3808529	10	Bolt	
4	3808528	1	Intake gasket	
5	3861023	1	Gasket	
6	(3861001)	1	Cover	Obsolete part
7		2	Stud	part not sold
8		2	Nut	part not sold
9	3819138	1	Tube	
10	3863006	1	Cardboard tube	
11	947542	1	Flange screw	
12	3857486	3	Stud	
13	3589018	1	Hose	
14	3818428	1	Cover	
15	3588368	1	Decal	8.10Si
16	946544	3	Flange screw	