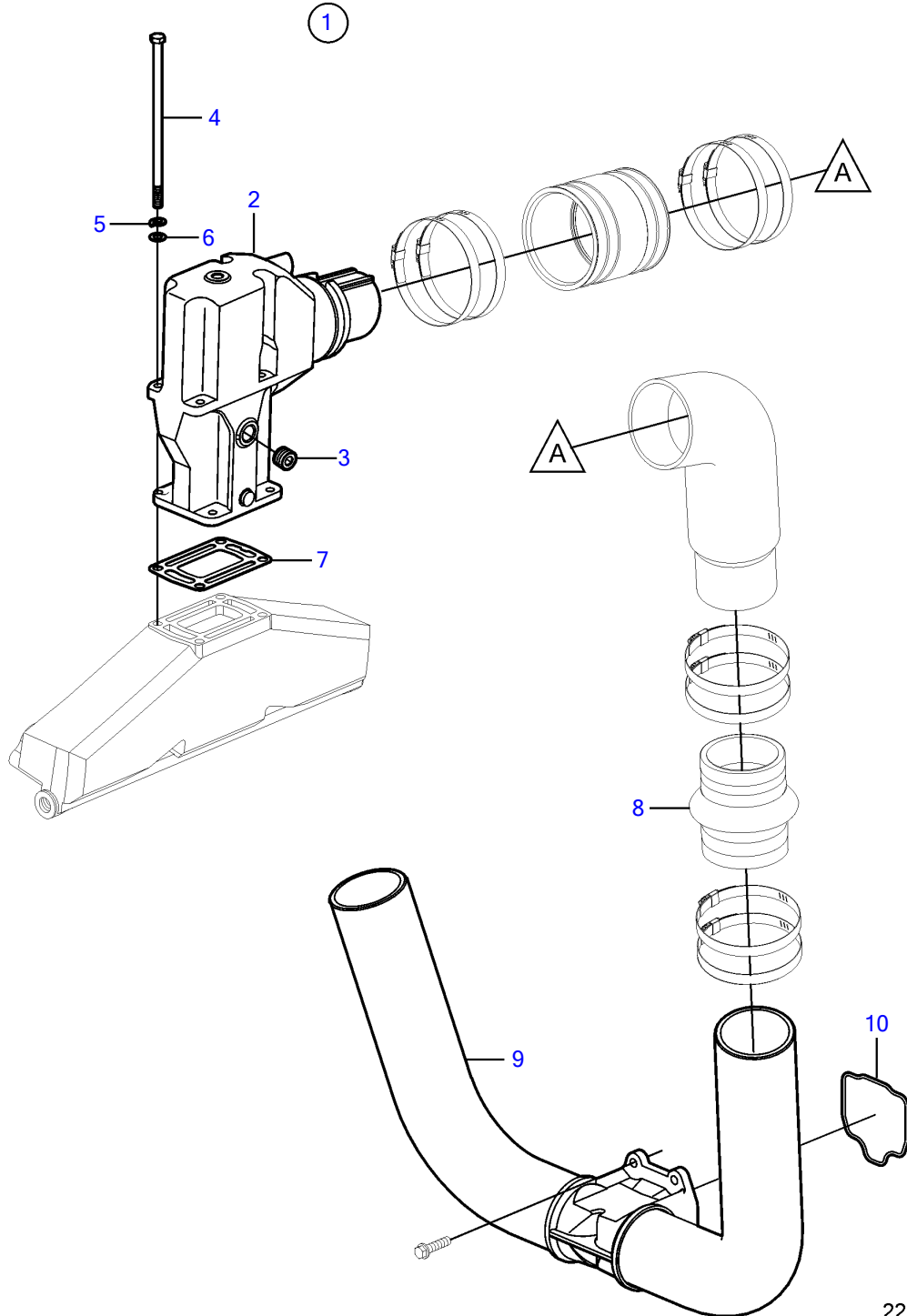
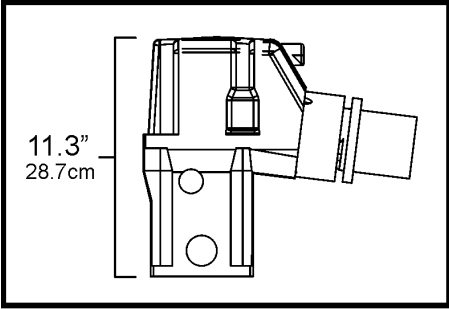


8.10Si-J, 8.10Si-JF



8.10Si-J, 8.10Si-JF

REF	PART NO.	QTY	DESCRIPTION	SEE SEC.	NOTES
1	3589608	2	Kit		
2	3862627	2	• Elbow		
			• Bulletin P-25-1-4	P-25-1-4-EN	Tall Riser Options
3	3850999	4	• Plug		
4	3852830	8	• Screw		
5	3852002	8	• Spring washer		
6	3852058	8	• Washer		
7	3863191	1	• Kit		
		2	• • Gasket		not sold separately
8	3863450	2	• Bellows		
9	3589606	2	• Pipe		
10	3860984	1	• Sealing		
			• Bulletin P-25-2-2	P-25-2-2-EN	Y-pipe seal, gas engines