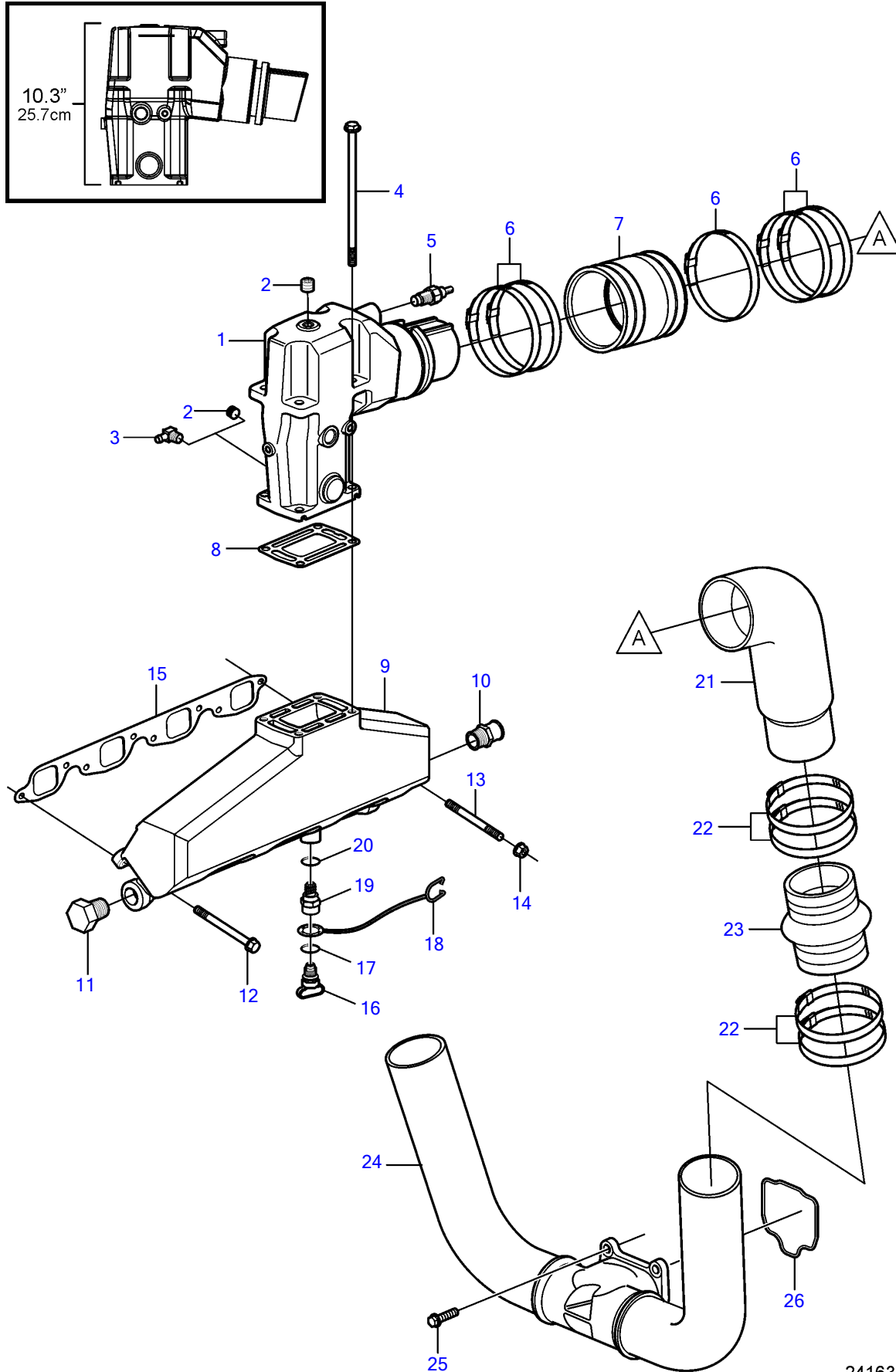


8.10Si-J



8.10Si-J

REF	PART NO.	QTY	DESCRIPTION	SEE SEC.	NOTES
1	3889965	2	Manifold		
			• Bulletin P-25-1-4	P-25-1-4-EN	Tall Riser Options
2	3850740	3	Plug		
3	3853597	1	Elbow		
4	3808361	8	Flange screw		
5	3862500	1	Temperature sensor		
6	3863443	10	Hose clamp		
7	3852696	2	Hose		
8	3863191	1	Kit		
		2	• Gasket		not sold separately
9	3847640	2	Exhaust pipe		
10	3861159	2	Nipple		
11	3595390	2	Plug		
12	945444	8	Flange screw		
13	982974	8	Stud		
14	945408	8	Flange nut		
15	3852472	1	Gasket		
16	21114522	2	Drain plug		
	3849500	1	• Plug		Replaced by 21114522, not sold separately
17	976970	1	• O-ring		
18	3849892	1	• Retainer		
19	21238201	2	Adapter		
20	976970	2	• O-ring		
21	3847731	2	Exhaust pipe		
22	3863442	8	Hose clamp		
23	3863450	2	Bellows		
24	3847752	1	Exhaust pipe		
25	3841928	4	Flange screw		
26	3860984	1	Sealing		
			• Bulletin P-25-2-2	P-25-2-2-EN	Y-pipe seal, gas engines