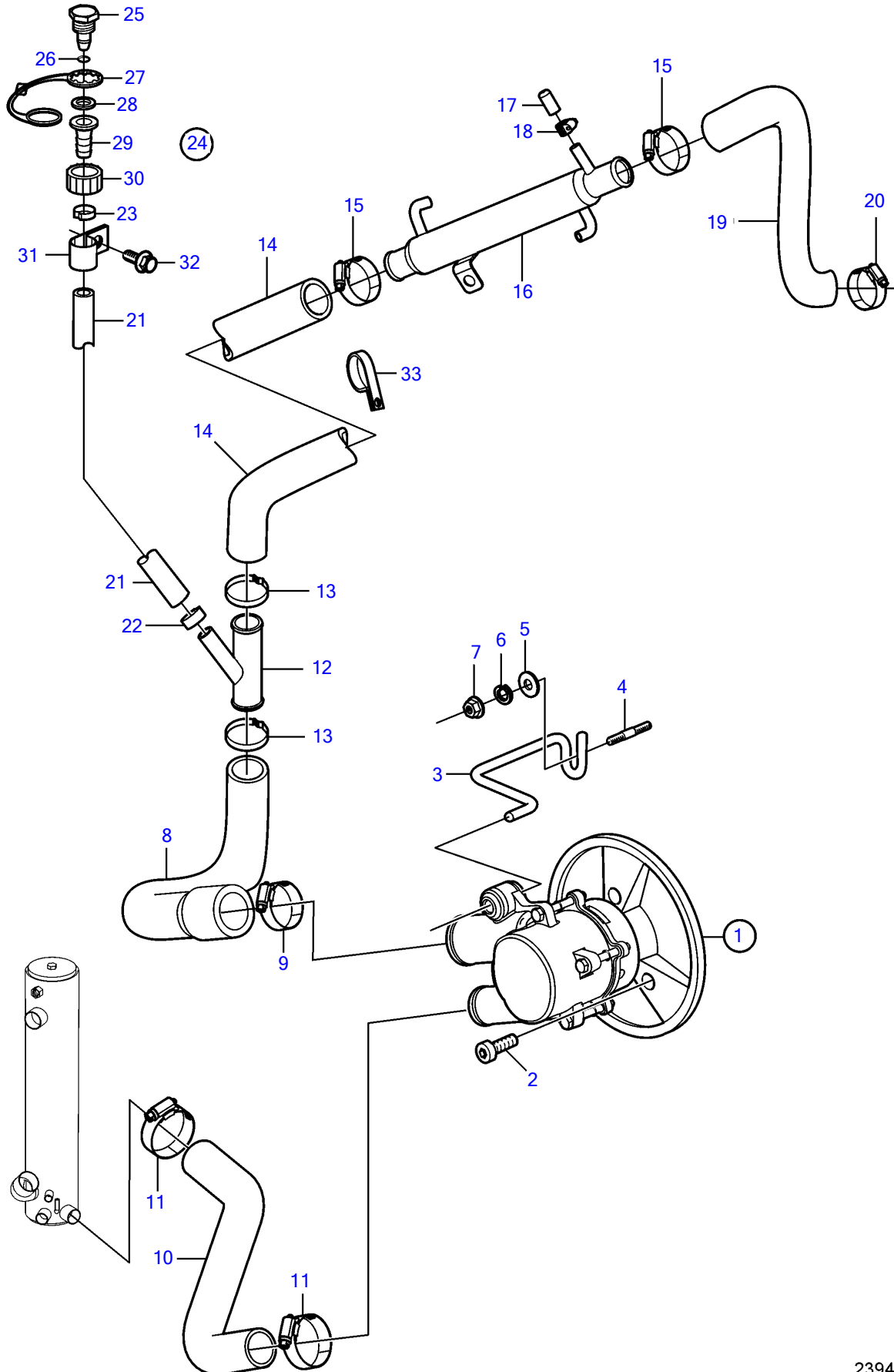


8.10Si-JF



8.10Si-JF

REF	PART NO.	QTY	DESCRIPTION	NOTES
1	3812518	1	Pump	replaced by next part number
	21212800	1	Pump	
	3842786	1	• Impeller kit	Replaced by 21213664, See "Seawater Pump Parts"
2	959240	3	Hex. socket screw	
3	3817812	1	Bracket	
4	983613	1	Stud	
5	980933	1	Washer	
6	3852046	1	Spring washer	
7	971095	1	Flange nut	
8	3849020	1	Hose	
9	3863440	1	Hose clamp	
10	3817820	1	Hose	
11	3863441	2	Hose clamp	
12	3862699	1	T-pipe	
13	982645	2	Clamp	
14	3849018	1	Hose	
15	3863444	2	Hose clamp	
16	3862629	1	Oil cooler, steering	
17	3856766	1	Cardboard tube	
18	3860413	1	Hose clamp	
19	3861567	1	Hose	
20	3863444	1	Hose clamp	
21	3857823	1	Hose	
22	983168	1	Hose clamp	
23	983146	1	Clamp	
24	3807440	1	Connector	
25		1	• Cap	not sold separately
26	942978	1	• O-ring	
27	3862082	1	• Retainer	
28	3807664	1	• Washer	
29		1	• Connector	not sold separately
30		1	• Connector	not sold separately
31	3862891	1	Attaching clamp	
32	982702	1	Flange screw	
33	3853312	1	Clamp, loop	