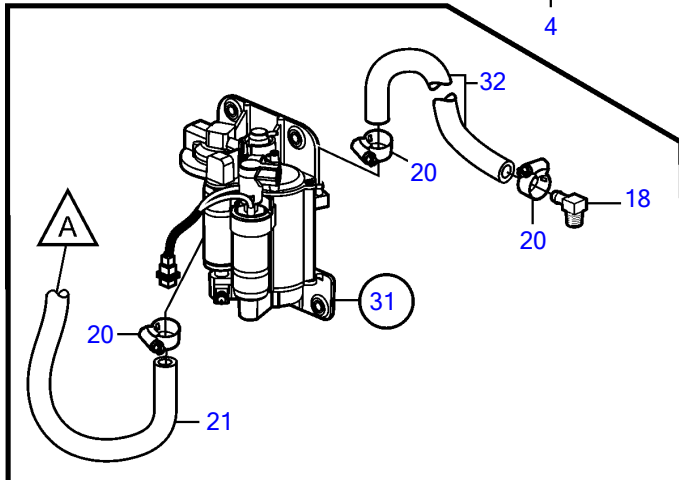
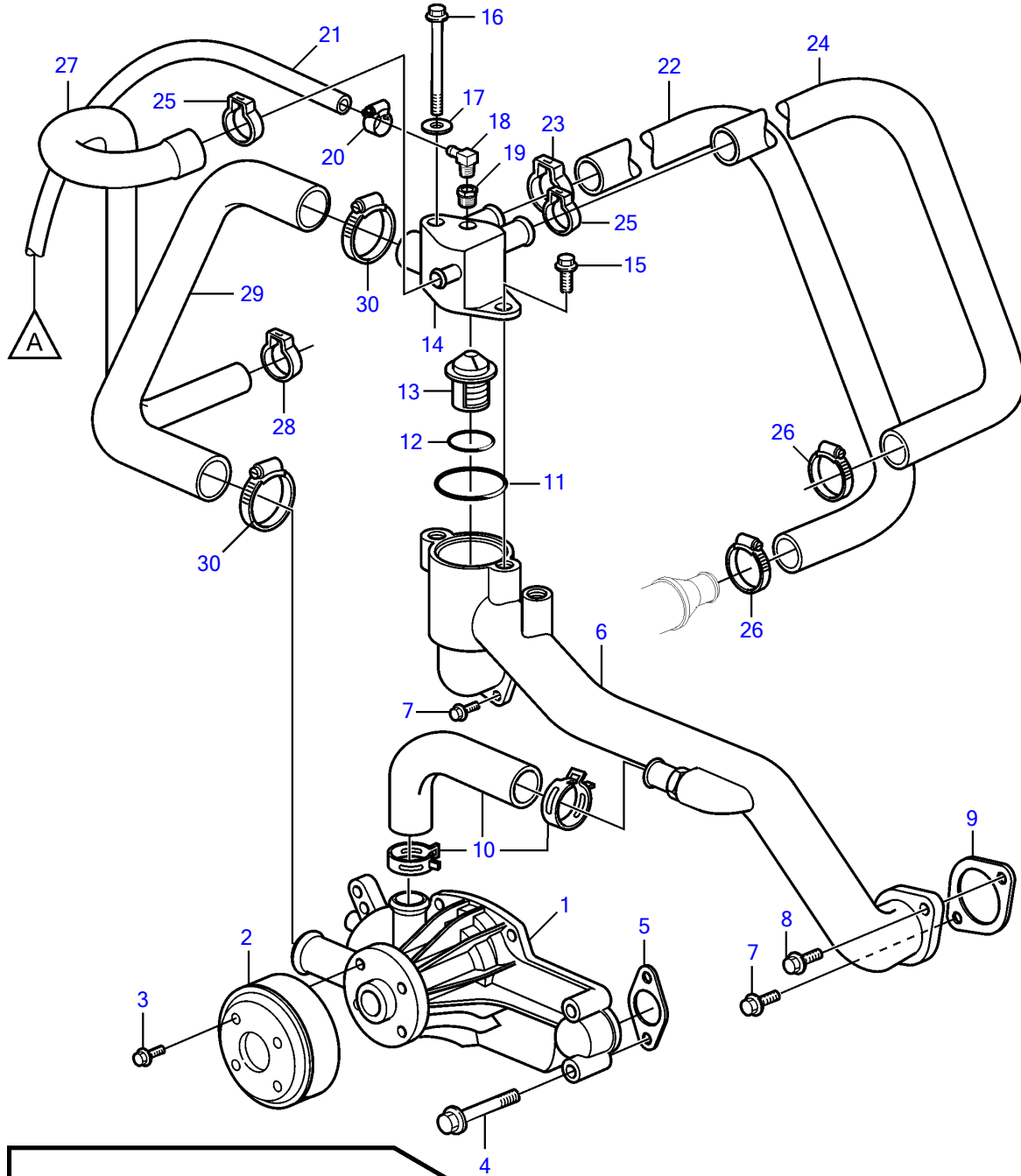


8.1Gi-J, 8.10Si-J, 8.1GXi-J



22504

8.1Gi-J, 8.1OSi-J, 8.1GXi-J

REF	PART NO.	QTY	DESCRIPTION	SEE SEC.	NOTES
1	3861341	1	Circulation pump		
2	3861313	1	Pulley		
3	3861254	4	Bolt		
4	3861246	3	Bolt		L=65mm
		1	Screw		L=95mm, part not sold
5	3861285	2	Gasket		
6	3861308	1	Tube		
7	3861245	3	Bolt		
8	965185	1	Flange screw		
9	3861286	2	Gasket		
10	3861298	1	Hose		
		2	• Clamp		not sold separately
11	3861000	1	O-ring		
12	3852071	1	O-ring		
13	3853983	1	Thermostat		140°, To 4012253240, Use 3856961 for replacement of thermostat
			• Bulletin P-26-2-1	P-26-2-1-EN	Thermostat. 8.1L
13	3856961	1	Thermostat		160°, From 4012253241
14	3819500	1	Housing		
15	982702	1	Flange screw		
16	969313	1	Flange screw		
17	980933	1	Washer		
18	3853597	2	Elbow		
19	3857816	1	Bushing		
20	3860413	4	Hose clamp		
21	3860590	1	Hose		
22	3848978	1	Hose		
23	982644	1	Clamp		
24	3862693	1	Hose		
25	982716	1	Clamp		Oetiker
	3863439	1	Hose clamp		
26	3863441	2	Hose clamp		
27	3860849	1	Hose		
28	982644	1	Clamp		
29	3860850	1	Hose		
30	3863438	2	Hose clamp		
31		1	Fuel pump kit		See "Fuel system" page
32	3860410	1	Hose		