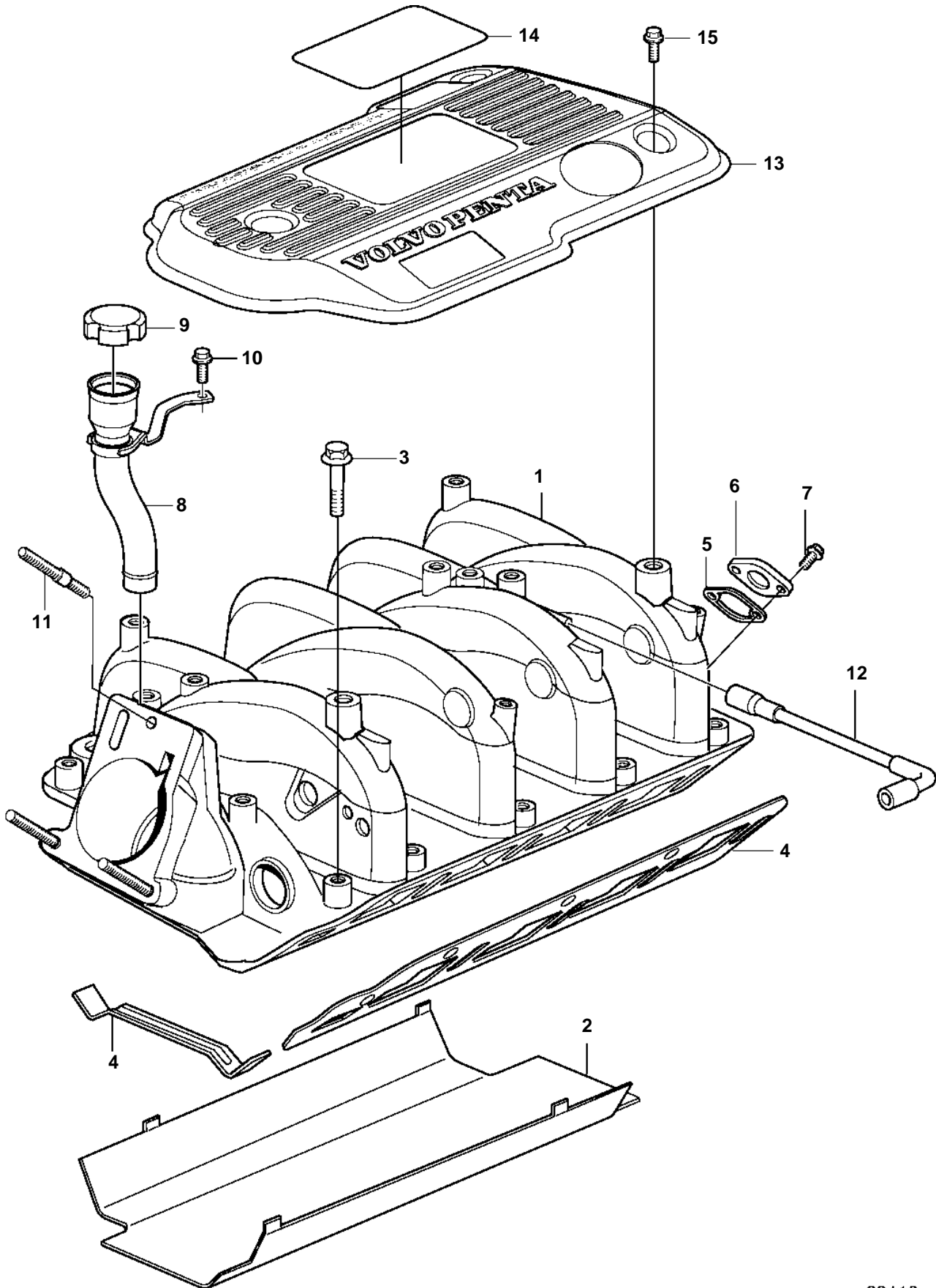


8.1GXi-F, 8.1GXi-FF



8.1GXi-F, 8.1GXi-FF

REF	PART NO.	QTY	DESCRIPTION	NOTES
1	3808519	1	Manifold	
2	3861324	1	Shield	
3	3808529	10	Screw	
4	3808528	1	Gasket	
5	3861023	1	Gasket	
6		1	Cover	
7	3861255	2	Screw	
8	3819138	1	Tube	
9	3863006	1	Cap	
10	947542	1	Screw	
11	3857486	3	Stud	
12	3589018	1	Hose	
13	3818428	1	Cover	
14	3861896	1	Decal	8.1GXi
15	946544	3	Flange screw	