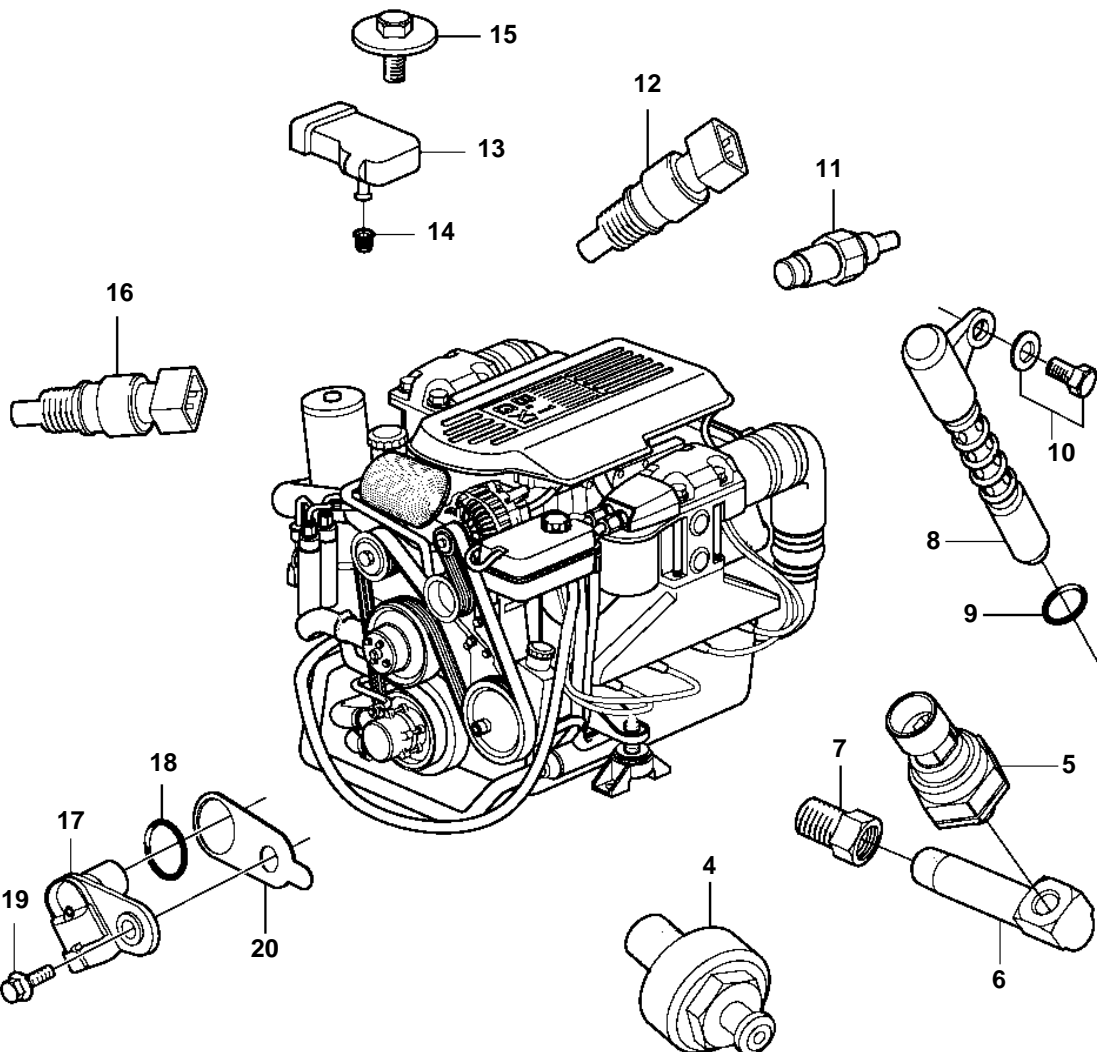
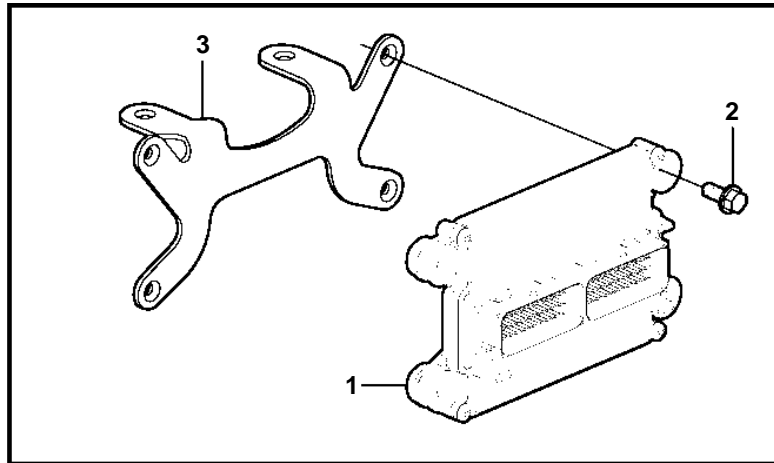


8.1GXi-F, 8.1GXi-FF



22416

8.1GXi-F, 8.1GXi-FF

REF	PART NO.	QTY	DESCRIPTION
1	3843867	1	Ecu
2	3843651	4	Screw
3	3817811	1	Bracket
4	3861301	2	Knock sensor
5	3842442	1	Oil pressure sensor
6	3842440	1	Fitting
7	3857816	1	Bushing
8	3808516	1	Sensor, crankshaft position
9		1	· O-ring
10	3861262	1	Screw
11	3862500	2	Temperature sensor
12	3854527	1	Sensor, MAT
13	3861321	1	Sensor, MAP
14	3858988	1	· Seal
15	3861240	1	Screw
16	3850397	1	Switch, coolant water temp.
17	3808513	1	Sensor, camshaft position
18			O-ring
19		1	Screw
20		1	Spacer