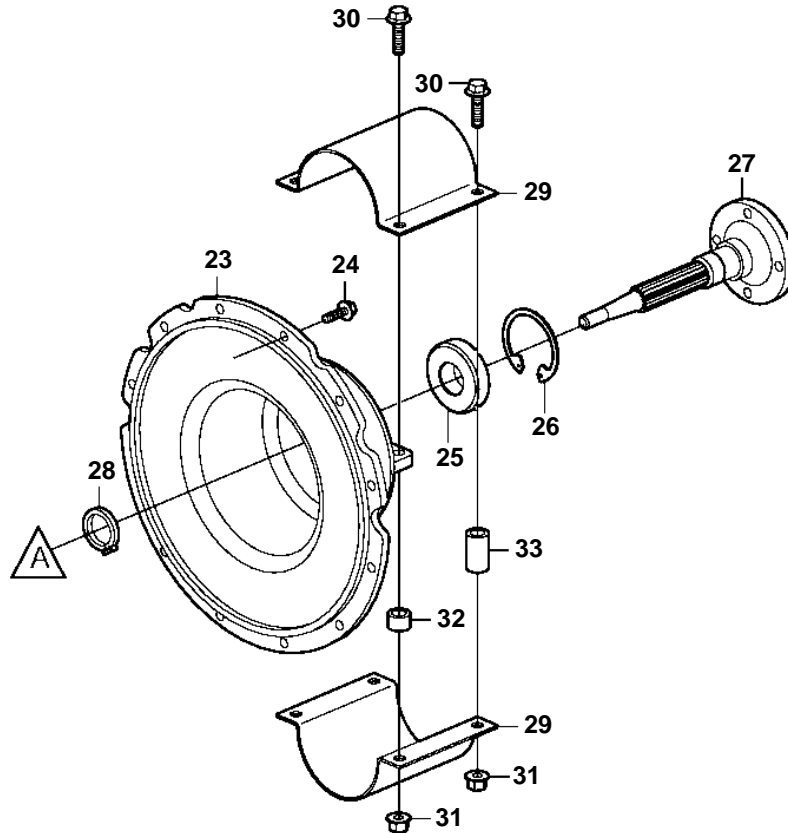
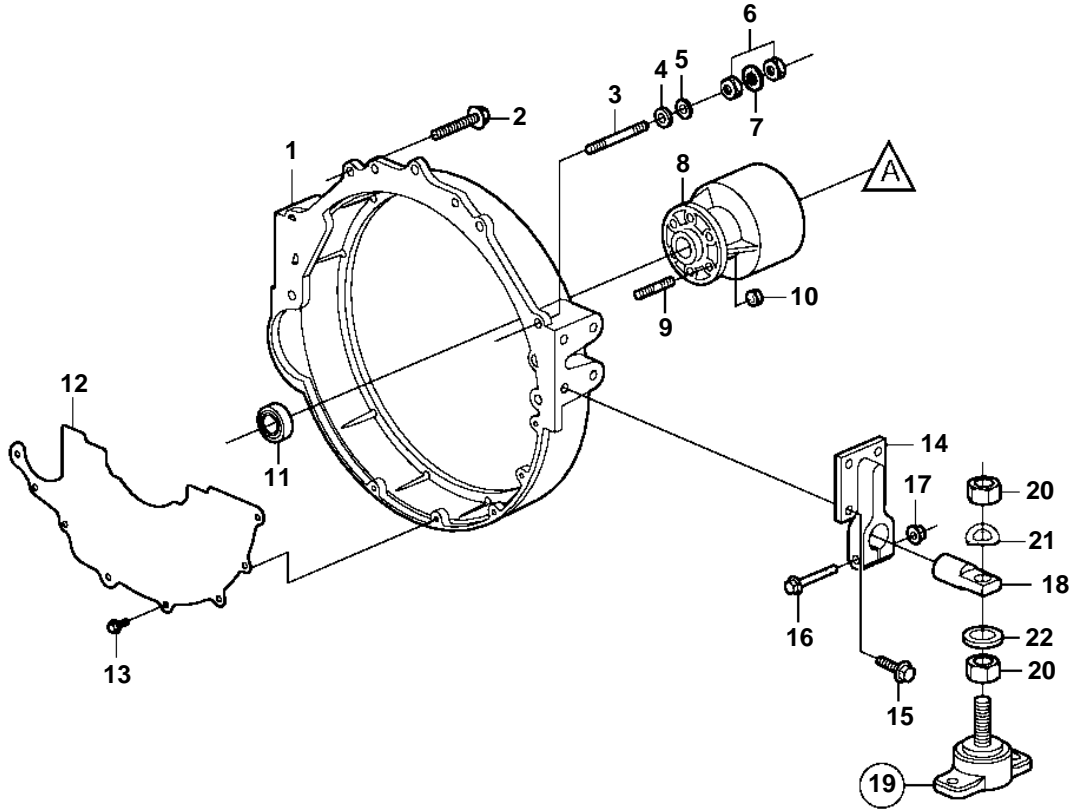


8.1Gi-G, 8.1Gi-GF, 8.1GXi-F, 8.1GXi-FF, 8.1OSi-C, 8.1OSi-CF



8.1Gi-G, 8.1Gi-GF, 8.1GXi-F, 8.1GXi-FF, 8.1OSi-C, 8.1OSi-CF

REF	PART NO.	QTY	DESCRIPTION	NOTES
1	3851722	1	Flywheel housing	
2	947790	4	Flange screw	
3	3862493	2	Stud	
4	980933	2	Washer	
5	3852046	2	Lock washer	Gi, GXi
	982475	2	Spring washer	OSi
6	971071	6	Nut	Gi, GXi
	971074	6	Nut	OSi
7	982679	4	Lock washer	
8	3853962	1	Rubber coupling	
9	3861383	6	Stud	
10	3853273	6	Lock nut	
11	3858846	1	Bearing	
12	3854604	1	Cover	
13	3852421	6	Screw	
14		2	Bracket	
15	965187	8	Screw	
16	965222	2	Screw	
17	971098	2	Flange lock nut	
18		2	Pin	
19	857251	2	Rubber cushion	
20	955860	4	· Nut	
21	941914	2	Spring washer	
22	955902	2	Washer	
23	3851727	1	Bearing housing	
24	946752	11	Flange screw	
25	181877	1	Ball bearing	
26	914540	1	Lock ring	
27	3851724	1	Flange	
28	914465	1	Lock ring	
29	3851729	2	Cover	
30	948039	4	Flange screw	L=65mm
31	977938	4	Flange lock nut	
32	983740	8	Spacer	L=10mm
33	983741	4	Spacer	L=33mm