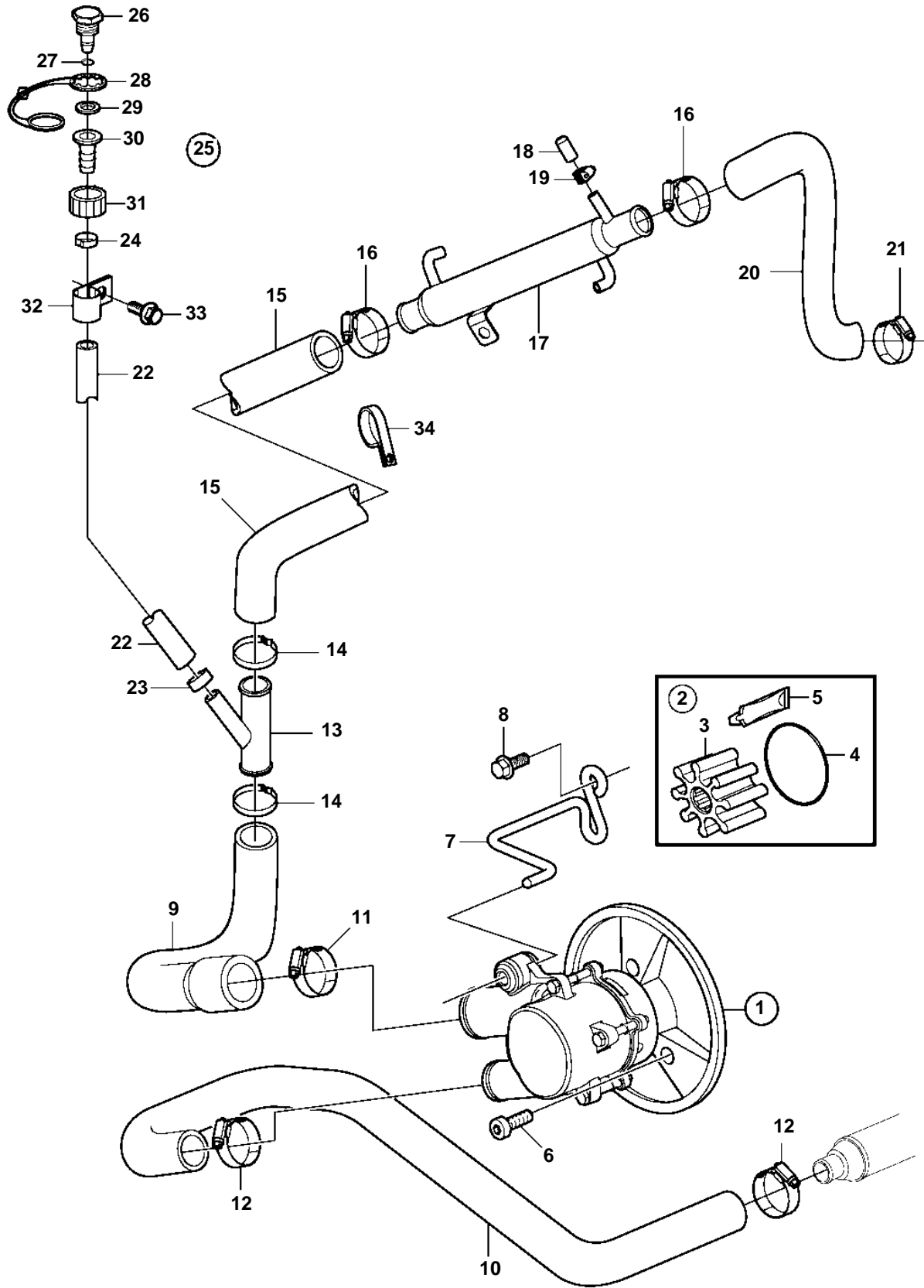


8.1Gi-G, 8.1GXi-F, 8.1OSi-C



8.1Gi-G, 8.1GXi-F, 8.1OSi-C

| REF | PART NO. | QTY | DESCRIPTION           |
|-----|----------|-----|-----------------------|
| 1   | 3812518  | 1   | Sea water pump        |
| 2   | 3842786  | 1   | · Impeller kit        |
| 3   |          | 1   | · · Impeller          |
| 4   | 3858938  | 1   | · · O-ring            |
| 5   |          | 1   | · · Lubricantglycerin |
| 6   | 959240   | 3   | Screw                 |
| 7   | 3817686  | 1   | Stay                  |
| 8   | 946441   | 2   | Screw                 |
| 9   | 3817824  | 1   | Hose                  |
| 10  | 3817819  | 1   | Hose                  |
| 11  | 3863440  | 1   | Clamp                 |
| 12  | 3863441  | 2   | Clamp                 |
| 13  | 3862699  | 1   | T-pipe                |
| 14  | 982645   | 2   | Clamp                 |
| 15  | 3862692  | 1   | Hose                  |
| 16  | 3863444  | 3   | Clamp                 |
| 17  |          | 1   | Oil cooler            |
| 18  | 3856766  | 1   | Cap                   |
| 19  | 3860413  | 1   | Clamp                 |
| 20  | 3817579  | 1   | Hose                  |
| 21  | 3812302  | 1   | Clamp                 |
| 22  | 3857823  | 1   | Hose                  |
| 23  | 983168   | 1   | Clamp                 |
| 24  | 983146   | 1   | Clamp                 |
| 25  | 3807440  | 1   | Flushing connection   |
| 26  |          | 1   | · Cap                 |
| 27  | 942978   | 1   | · O-ring              |
| 28  | 3862082  | 1   | · Retainer            |
| 29  | 3807664  | 1   | · Seal                |
| 30  |          | 1   | · Connector           |
| 31  |          | 1   | · Connector           |
| 32  | 3862891  | 1   | Clamp                 |
| 33  | 982285   | 1   | Flange screw          |
| 34  | 3853312  | 1   | Clamp, loop           |