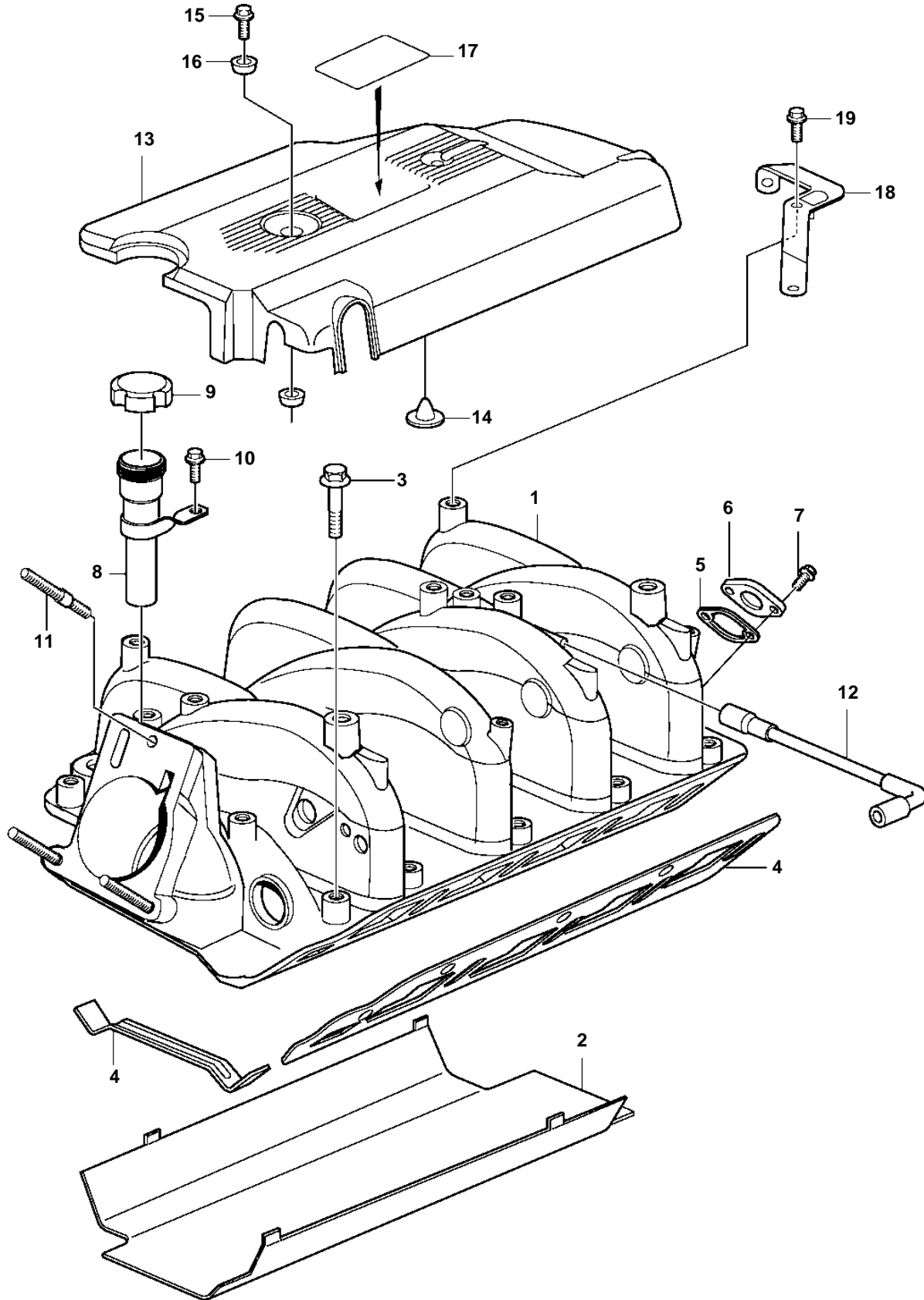


8.10Si-B, 8.10Si-BF



8.1OSi-B, 8.1OSi-BF

REF	PART NO.	QTY	DESCRIPTION	NOTES
1	3808519	1	Manifold	
2	3861324	1	Shield	
3	3808529	10	Screw	
4	3808528	1	Gasket	
5	3861023	1	Gasket	
6		1	Cover	
7	3861255	2	Screw	
8	3861250	1	Screw	
9	3861333	1	Tube	
10	3863006	1	Cap	
11	3589018	1	Hose	
12	3857486	3	Stud	
13	3860925	1	Cover	
14	3859005	3	· Grommet	
15		2	· Screw	NOT SERVICED
16		4	· Grommet	NOT SERVICED
17	3588368	1	Decal	8.1OSi
18	3861388	1	Bracket	
19	946544	1	Flange screw	