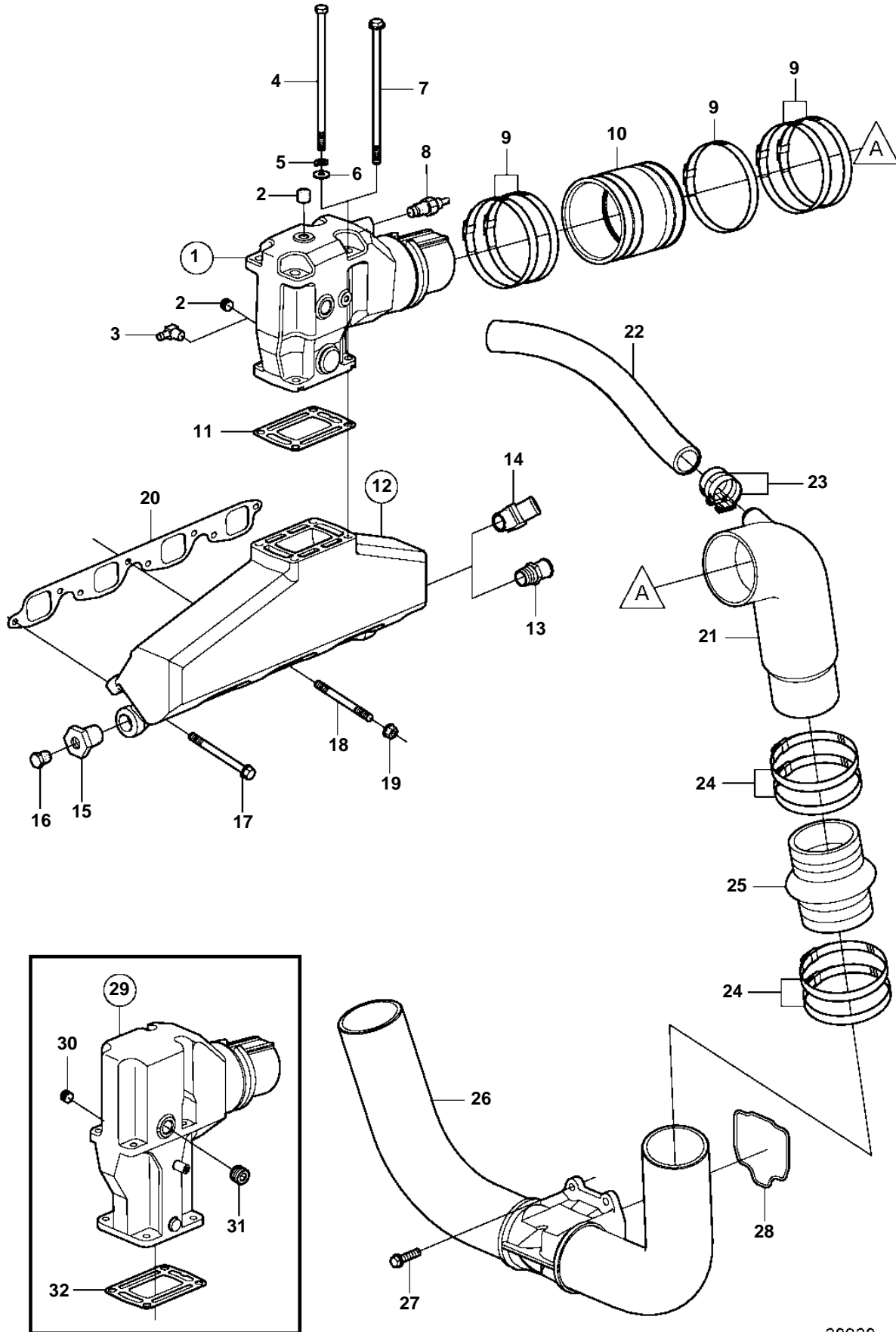


8.1Gi-F, 8.1Gi-FF, 8.1GXi-E, 8.1GXi-EF, 8.1OSi-B, 8.1OSi-BF



20920

8.1Gi-F, 8.1Gi-FF, 8.1GXi-E, 8.1GXi-EF, 8.1OSi-B, 8.1OSi-BF

REF	PART NO.	QTY	DESCRIPTION	NOTES
1	3863061	2	Exhaust riser	
2	3850740	3	· Plug	
3	3853597	1	Elbow	
4	3852830	8	Screw	EARLIER PROD
5	3852002	8	Lock washer	
6	980933	8	Washer	
7	3808361	8	Flange screw	LATER PROD
8	3862500	2	Temperature sensor	
9	3863443	10	Clamp	
10	3852696	8	Exhaust hose	
11	3863191	1	Gasket kit	Contains 2 riser gaskets.
12	3860855	2	Manifold	
13	3861159	X	Nipple	
14	3807044	X	Fitting	45°
15	3861160	2	Fitting	
16	3850802	2	Plug	
17	945444	8	Flange screw	
18	982974	8	Stud	
19	945408	8	Flange nut	
20	3852472	2	Gasket	
21	3863461	1	Exhaust pipe	STARBOARD
	3863462	1	Exhaust pipe	PORT
22	3862206	1	Exhaust hose	
23	3863440	4	Clamp	
24	3863442	8	Clamp	
25	3863450	2	Bellows	
26	3858873	1	Exhaust pipe	
27	3855472	4	Flange screw	3/8" UNC
	946752	4	Flange screw	M10
28	3587651	1	Sealing kit	
29	3862907	X	Exhaust pipe kit	3.00" (76mm)
30	3850740	X	Plug	
31	3850999	X	Plug	
32	3863191	X	Gasket kit	Contains 2 riser gaskets.